

# PT9CN

## Heavy Industrial • J1939 CANbus

Linear Position/Velocity to 550 inches (1400 cm)  
 Aluminum or Stainless Steel Enclosure Options  
 VLS Option To Prevent Free-Release Damage  
 IP67 • NEMA 6 Protection

### GENERAL

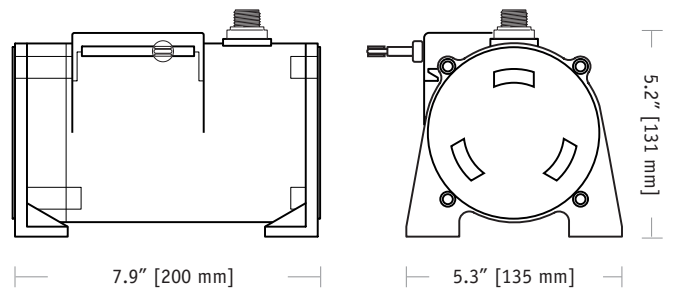
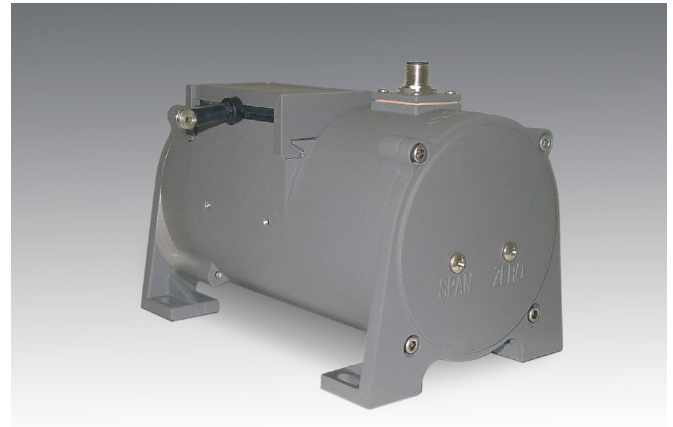
Full Stroke Range Options (on this datasheet)	0-75 to 0-550 inches
Electrical Signal Interface	CANbus SAE J1939
Protocol	Proprietary B
Accuracy	± 0.10% full stroke
Repeatability	± 0.02% full stroke
Resolution	± 0.003% full stroke
Measuring Cable Options	nylon-coated stainless steel or thermoplastic
Enclosure Material	powder-painted aluminum or stainless steel
Sensor	plastic-hybrid precision potentiometer
Potentiometer Cycle Life	≥ 250,000 cycles
Maximum Retraction Acceleration	see ordering information
Maximum Velocity	see ordering information
Weight, Aluminum (Stainless Steel) Enclosure	8 lbs. (16 lbs.), max.

### ELECTRICAL

Input Voltage	7 - 18 VDC
Input Current	60 mA max.
Address Setting/Node ID	0...63 set via DIP switches
Baud Rate	125K, 250K or 500K set via DIP switches
Update Rate	10 ms. (20 ms. available, contact factory)

### ENVIRONMENTAL

Enclosure	NEMA 4/4X/6, IP 67
Operating Temperature	-40° to 200°F (-40° to 90°C)
Vibration	up to 10 g to 2000 Hz maximum



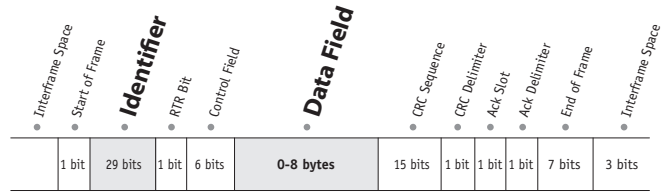
The PT9CN communicates linear position feedback via the CANbus SAE J1939 interface. The PT9CN has been designed for factory and harsh environment applications requiring full stroke ranges up to 550".

As a member of Celesco's innovative family of NEMA 4 rated cable-extension transducers, the PT9CN installs in minutes by simply mounting it's body to a fixed surface and attaching it's cable to the movable object. Perfect parallel alignment not required.

### Output Signal:



# I/O Format and Settings



repetition = 8 msec.

## • Identifier

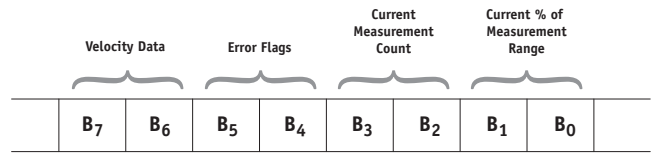
Message Priority	Future Use					J1939 Reference Proprietary B											Data Field Type*								Not Used		Node ID**							
1	0	0	0	0	0	1	1	1	1	1	1	1	1	1	0	1	0	1	0	0	1	1	0	0	1	1	0	0	1	1	1	1	1	1
Identifier Bit No. –	28	27	26	25	24	23	22	21	20	19	18	17	16	15	14	13	12	11	10	9	8	7	6	5	4	3	2	1	0					
Hex Value –	0					F			F			5				3				3		F												

\*Sensor field data can be factory set to customer specific value. \*\*Customer defined, set via Dips 1-6. Bit values shown for example only, see **Address Setting** below.

## • Data Field

**B<sub>0</sub>** = LSB current % of measurement range byte  
**B<sub>1</sub>** = MSB current % of measurement range byte  
**B<sub>2</sub>** = LSB current measurement count byte  
**B<sub>3</sub>** = MSB current measurement count byte

**B<sub>4</sub>** = error flag  
**B<sub>5</sub>** = error flag  
**B<sub>6</sub>** = LSB velocity data byte  
**B<sub>7</sub>** = MSB velocity data byte



B <sub>7</sub>	B <sub>6</sub>	B <sub>5</sub>	B <sub>4</sub>	B <sub>3</sub>	B <sub>2</sub>	B <sub>1</sub>	B <sub>0</sub>
----------------	----------------	----------------	----------------	----------------	----------------	----------------	----------------

### Current Measurement Count

The **Current Measurement Count (CMC)** is the output data that indicates the present position of the measuring cable. The CMC is a 16-bit value that occupies bytes **B<sub>2</sub>** and **B<sub>3</sub>** of the data field. **B<sub>2</sub>** is the **LSB** (least significant byte) and **B<sub>3</sub>** is the **MSB** (most significant byte).

The **CMC** starts at **0x0000** with the measuring cable fully retracted and continues upward to the end of the stroke range stopping at **0xFFFF**. This holds true for all ranges.

### Converting CMC to Linear Measurement

To convert the current measurement count to inches or millimeters, simply divide the count by 65,535 (total counts over the range) and then multiply that value by the full stroke range:

$$\left( \frac{\text{current measurement count}}{65,535} \right) \times \text{full stroke range}$$

Sample Conversion:

If the full stroke range is **30 inches** and the current position is **0x0FF2** (4082 Decimal) then,

$$\left( \frac{4082}{65,535} \right) \times 30.00 \text{ inches} = 1.87 \text{ inches}$$

If the full stroke range is **625 mm** and the current position is **0x0FF2** (4082 Decimal) then,

$$\left( \frac{4082}{65,535} \right) \times 625 \text{ mm} = 39 \text{ mm}$$

B <sub>7</sub>	B <sub>6</sub>	B <sub>5</sub>	B <sub>4</sub>	B <sub>3</sub>	B <sub>2</sub>	B <sub>1</sub>	B <sub>0</sub>
----------------	----------------	----------------	----------------	----------------	----------------	----------------	----------------

### Current % of Measurement Range

The **Current % of Measurement Range** is a 2-byte value that expresses the current linear position as a percentage of the entire full stroke range. Resolution is **.1 %** of the full stroke measurement range.

This value starts at **0x0000** at the beginning of the stroke and ends at **0x03E8**.

Example:

Hex	Decimal	Percent
0000	0000	0.0%
0001	0001	0.1%
0002	0002	0.2%
...	...	...
03E8	1000	100.0%

B <sub>7</sub>	B <sub>6</sub>	B <sub>5</sub>	B <sub>4</sub>	B <sub>3</sub>	B <sub>2</sub>	B <sub>1</sub>	B <sub>0</sub>
----------------	----------------	----------------	----------------	----------------	----------------	----------------	----------------

### Error Flags

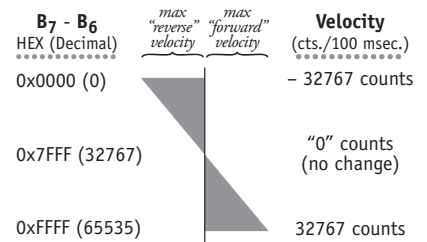
**0x55** (yellow LED on controller board) indicates that the sensor has begun to travel beyond the calibrated range of the internal position potentiometer.

**0xAA** (red LED on controller board) indicates that the sensor has moved well beyond the calibrated range of the internal position potentiometer.

If either error flag occurs within the full stroke range of the sensor, the unit should be returned to the factory for repair and recalibration.

### Velocity

Data in bytes **B<sub>7</sub>** - **B<sub>6</sub>** is the change in the **CMC** (current measurement count) over a 100 msec time period. This data can then be used to calculate velocity in a post processing operation.



### Velocity Calculation

$$\left( \frac{\text{count change} - 32767}{.1 \text{ sec. time period}} \right) \times \left( \frac{\text{full stroke range}}{65,535} \right)$$

#### Sample Calculations

Cable Extension (positive direction):

**B<sub>7</sub>-B<sub>6</sub> = 0x80C6** (32966 Dec), **full stroke = 200 in.**

$$\left( \frac{32966 - 32767}{.1 \text{ sec}} \right) \times \left( \frac{200 \text{ in.}}{65,535} \right) = 6.07 \text{ in. / sec.}$$

Cable Retraction (negative direction):

**B<sub>7</sub>-B<sub>6</sub> = 0x7F1A** (32538 Dec), **full stroke = 200 in.**

$$\left( \frac{32538 - 32767}{.1 \text{ sec}} \right) \times \left( \frac{200 \text{ in.}}{65,535} \right) = -6.99 \text{ in. / sec.}$$

# Setting the Address (Node ID) and Baud Rate

## Address Setting (Node ID)

The Address Setting (Node ID) is set via 6 switches located on the 8-pole DIP switch found on the DeviceNET controller board located inside the transducer.

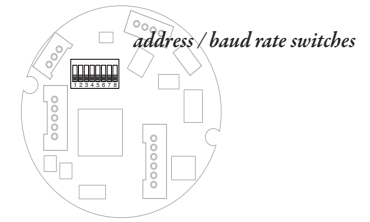
The DIP switch settings are binary starting with switch number 1 (= 2<sup>0</sup>) and ending with switch number 6 (= 2<sup>5</sup>).

## Baud Rate

The transmission baud rate may be either factory preset at the time of order or set manually at the time of installation.

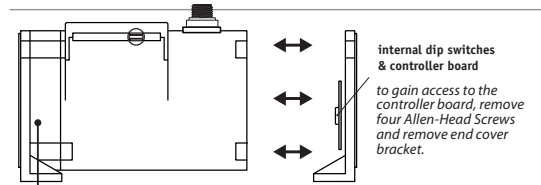
The baud rate can be set using switches 7 & 8 on the 8-pole DIP switch found on the DeviceNET controller board located inside the transducer.

## CANBus Controller Board



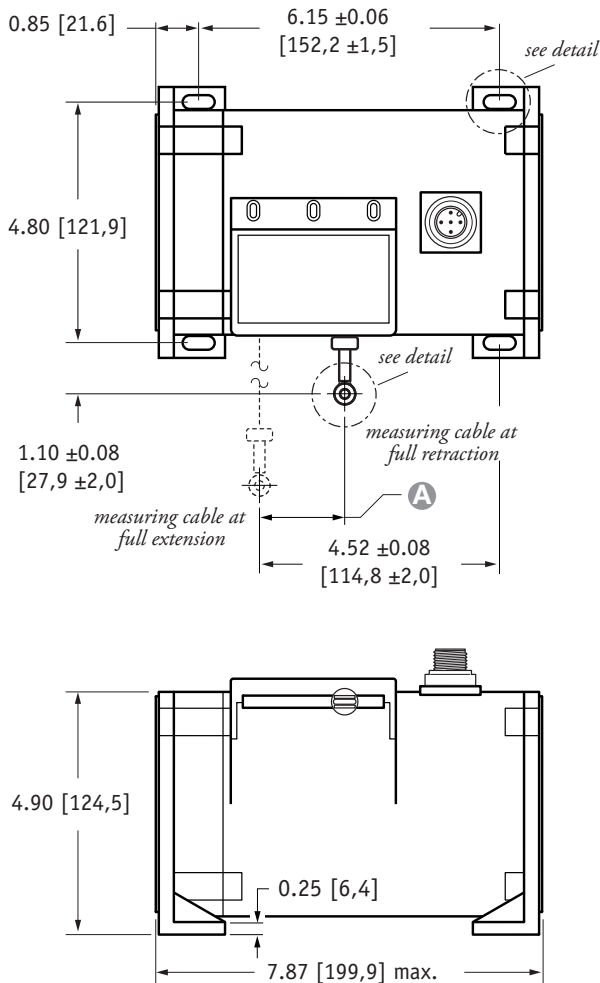
DIP-1 (2 <sup>0</sup> )	DIP-2 (2 <sup>1</sup> )	DIP-3 (2 <sup>2</sup> )	DIP-4 (2 <sup>3</sup> )	DIP-5 (2 <sup>4</sup> )	DIP-6 (2 <sup>5</sup> )	address (decimal)
0	0	0	0	0	0	0
1	0	0	0	0	0	1
0	1	0	0	0	0	2
...	...	...	...	...	...	...
1	1	1	1	1	1	63

DIP-7	DIP-8	baud rate
0	0	125k
1	0	250k
0	1	500k
1	1	125k

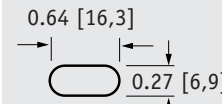


**Caution! Do Not Remove Spring-Side End Cover**  
removing spring-side end cover could cause spring to become unseated and permanently damaged.

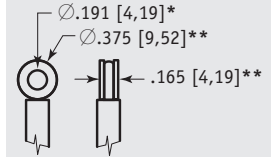
Fig. 1 – Outline Drawing (18 oz. cable tension only)



### mounting hole detail

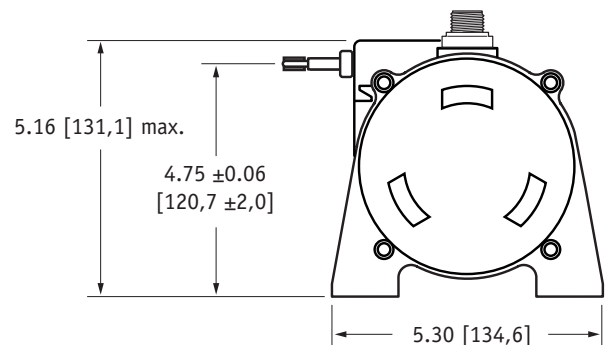


### eyelet detail



### A DIMENSION (INCHES)

RANGE	MEASURING CABLE		
	Ø.034 in.	Ø.047 in.	Ø.062 in.
75	0.22	0.29	0.37
100	0.29	0.39	0.49
150	0.44	0.59	0.73
200	0.58	0.79	0.98
250	0.73	0.98	1.22
300	0.88	1.18	1.47
350	1.02	1.38	1.71
400	1.17	1.57	1.96
450	1.31	1.77	n/a
500	1.46	1.97	n/a
550	1.61	n/a	n/a



DIMENSIONS ARE IN INCHES [MM]  
tolerances are 0.03 IN. [0.5 MM] unless otherwise noted.

\* tolerance = +.005 -.001 [+ .13 -.03]  
\*\* tolerance = +.005 -.005 [+ .13 -.13]

Ordering Information:

Model Number:

**PT9CN** - \_\_\_\_\_  
*order code:*      **R**    **A**    **B**    **G**    **D**    **J**    **F**    **E**    **H**

Sample Model Number:

**PT9CN - 200 - AL - N34 - 26 - FR - J - 500 - 32 - SC5**

- R** range: 200 inches
- A** enclosure: aluminum
- B** measuring cable: .034 nylon-coated stainless
- G** measuring cable tension: 18 oz.
- D** cable exit: front (horizontal)
- J** interface: CANbus SAE J1939
- F** baud rate: 500 k bits/sec.
- E** node ID: 32 decimal
- H** electrical connection: 5-meter cordset with straight plug

Full Stroke Range:

<b>R</b> <i>order code:</i>	<b>75</b>	<b>100</b>	<b>150</b>	<b>200</b>	<b>250</b>	<b>300</b>	<b>350</b>	<b>400</b>	<b>450*</b>	<b>500*</b>	<b>550*</b>
full stroke range, min:	75 in.	100 in.	150 in.	200 in.	250 in.	300 in.	350 in.	400 in.	450 in.	500 in.	550 in.

\* - 36 oz. cable tension strongly recommended

Enclosure Material:

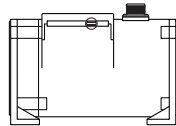
<b>A</b> <i>order code:</i>	<b>AL</b>	<b>SS</b>
	powder-painted aluminum	303 stainless

Measuring Cable:

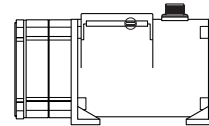
<b>B</b> <i>order code:</i>	<b>N34</b>	<b>S47</b>	<b>V62</b>
	Ø.034-inch nylon-coated stainless steel available in <i>all ranges</i>	Ø.047-inch stainless steel all ranges up to <i>500 inches</i>	Ø.062-inch thermoplastic all ranges up to <i>400 inches</i>

Measuring Cable Tension:

<b>G</b> <i>order code:</i>	<b>26</b>	<b>52</b>
tension (30%):	18 oz.	36 oz.
enclosure material:	aluminum    stainless steel	aluminum    stainless steel
max. acceleration:	1 G    .33 G	5 G    2 G
max. velocity:	60 inches/sec    20 inches/sec	200 inches/sec    80 inches/sec



standard housing  
see fig 1.



dual-spring housing  
see fig 2.

Cable Exit:

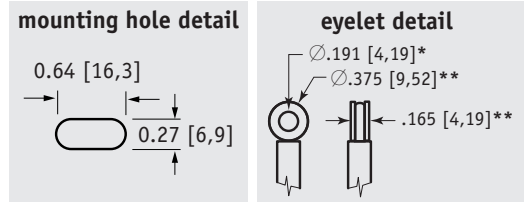
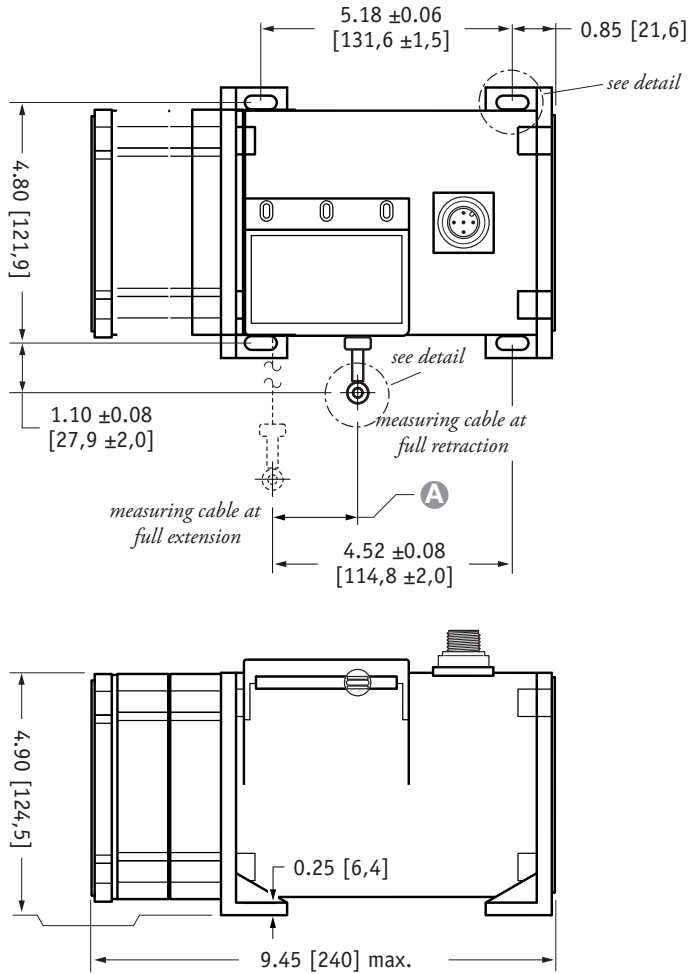
<b>D</b> <i>order code:</i>	<b>FR</b>	<b>UP</b>	<b>BK</b>	<b>DN</b>
	front	top	back	down

Baud Rate:

<b>F</b> <i>order code:</i>	<b>125</b>	<b>250</b>	<b>500</b>
	125 kbaud	250 kbaud	500 kbaud

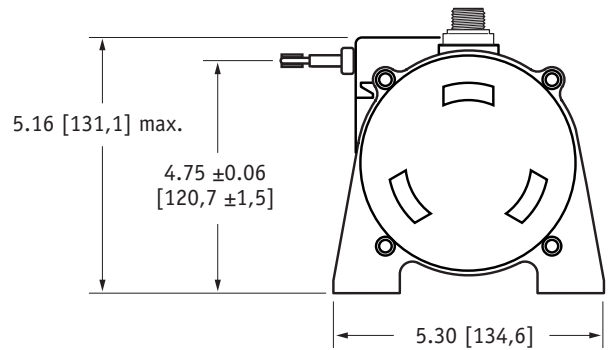


Fig. 2 – Outline Drawing (36 oz. cable tension only)



**A DIMENSION (INCHES)**

RANGE	MEASURING CABLE		
	Ø.034 in.	Ø.047 in.	Ø.062 in.
75	0.22	0.29	0.37
100	0.29	0.39	0.49
150	0.44	0.59	0.73
200	0.58	0.79	0.98
250	0.73	0.98	1.22
300	0.88	1.18	1.47
350	1.02	1.38	1.71
400	1.17	1.57	1.96
450	1.31	1.77	n/a
500	1.46	1.97	n/a
550	1.61	n/a	n/a



DIMENSIONS ARE IN INCHES [MM]  
tolerances are 0.03 IN. [0.5 MM] unless otherwise noted.

\* tolerance = +.005 -.001 [+.13 -.03]  
\*\* tolerance = +.005 -.005 [+.13 -.13]