

# SM2

## Miniature String Pot • Voltage Divider Output

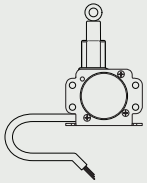
Linear Position to 25 inches (635 mm)

Fits In Tight Spaces • Handy Mounting Bracket

Polycarbonate Enclosure • Free Release Tolerant

**In Stock for Quick Delivery!**

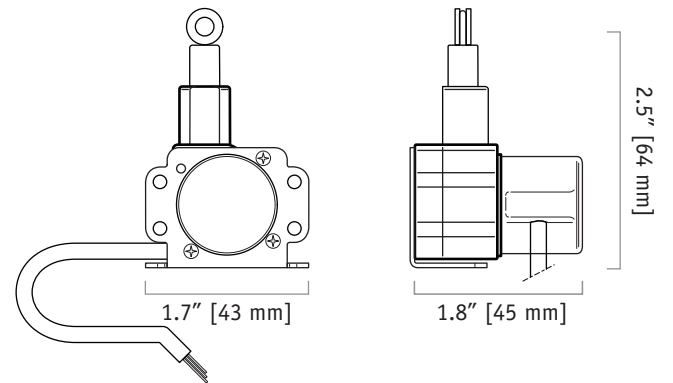
Order No.	full stroke range	accuracy (% of f.s.)	cycle life
<b>SM2-2</b>	2.5 in (64 mm)	1.00%	2.5M cycles
<b>SM2-7</b>	7.5 in (191 mm)	0.25%	500K cycles
<b>SM2-12</b>	12.5 in (318 mm)	0.25%	500K cycles
<b>SM2-25</b>	25 in (635 mm)	0.25%	250K cycles



includes sensor & mounting bracket.

### SPECIFICATIONS

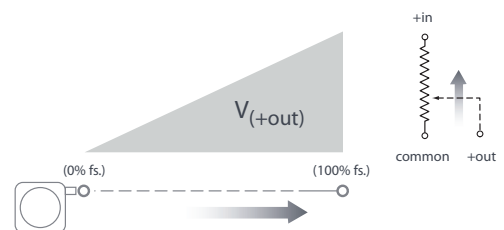
Available Stroke Ranges	2.5, 7.5, 12.5, 25 inches
Output Signal	voltage divider (potentiometric)
Accuracy	.25% to 1% FS. (see ordering info)
Repeatability	.05% FS.
Resolution	essentially infinite
Measuring Cable	.014-inch dia. nylon-coated stainless steel
Maximum Acceleration	15 g (retraction)
Measuring Cable Tension	5.1 oz. (1.4 N) ±30%
Sensor	plastic-hybrid precision potentiometer
Input Resistance	10K ohms, ±10%
Power Rating, Watts	2.0 at 70°F derated to 0 at 250°
Recommended Maximum Input Voltage	30 V (AC/DC)
Output Signal Change Over Full Stroke Range	94% ±4% of V(+in)
Cycle Life	see ordering information
Electrical Connection	40 inch (1 m), 24 ga. shielded 3-conductor cable
Enclosure	glass-filled polycarbonate
Environmental	IP 50
Operating Temperature	0° to 160° F (-18° to 70° C)
Weight (not including bracket)	3 oz (90 g)



Just like the SM1, the SM2 is the perfect sensing solution when tight space is an issue. With its rugged compact design, handy mounting bracket and a 40-inch electrical cable for easy signal connection, the SM2 is the perfect solution for the OEM and single piece users alike.

At just a little over an inch across, this miniature stringpot offers full stroke measurement ranges from 2½ to 25 inches. A precision plastic hybrid 10K-ohm potentiometer delivers a voltage divider output signal that is linearly proportional to the travel of the spring-loaded measuring cable.

### Output Signal:



20630 Plummer Street • Chatsworth, CA 91311  
tel: 800.423.5483 • +1.818.701.2750 • fax: +1.818.701.2799

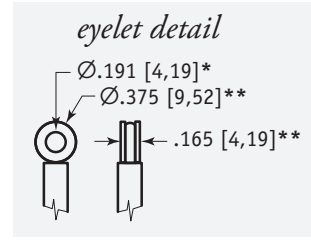
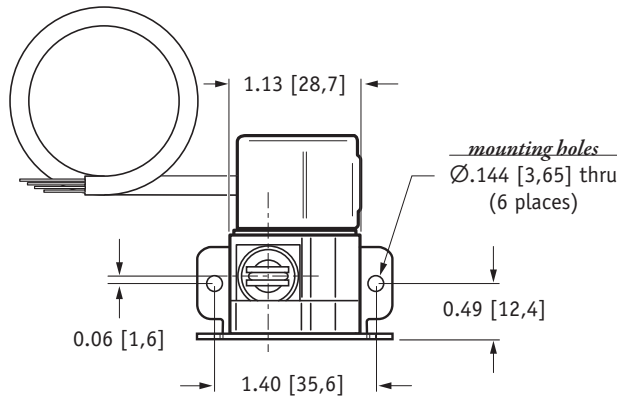
measurement  
SPECIALTIES™



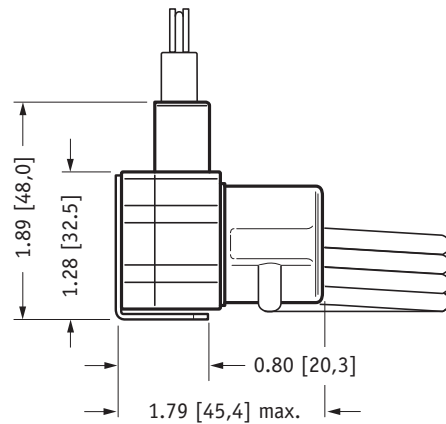
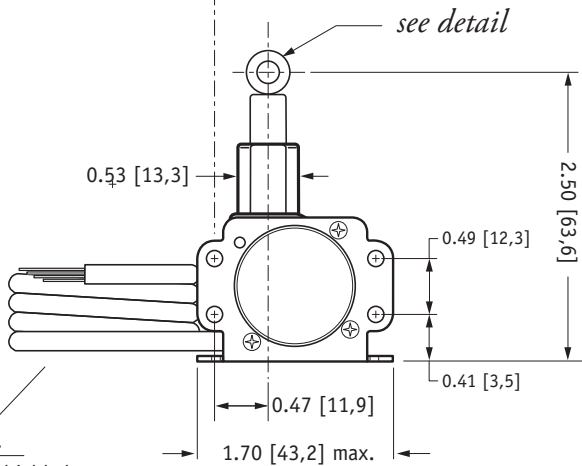
celesco

celesco.com • info@celesco.com

Outline Drawing (w/bracket):



\*tolerance = +.005 -.001 [+.13 -.03]  
 \*\*tolerance = +.005 -.005 [+.13 -.13]

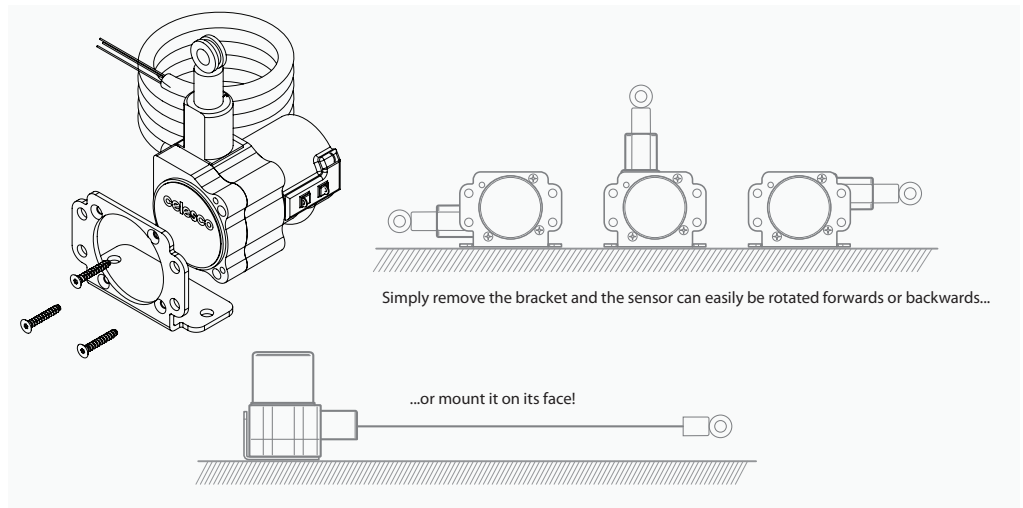
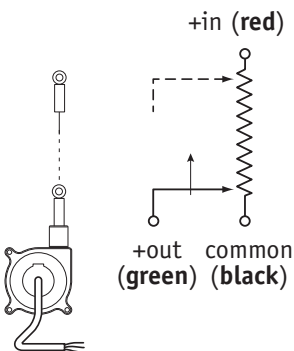


electrical cable  
 24 GA, 3-conductor, shielded  
 40 in. [1 meter] long

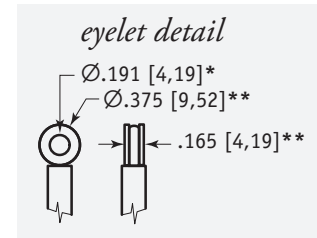
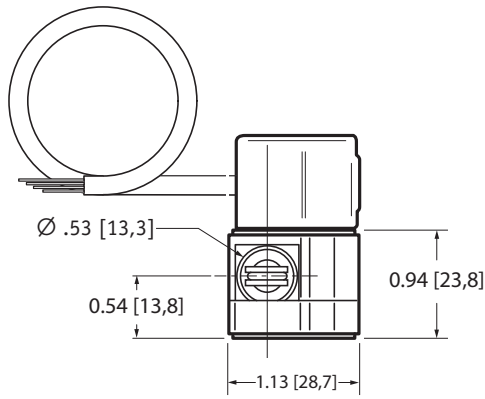
INCHES [MM]

Electrical Connection:

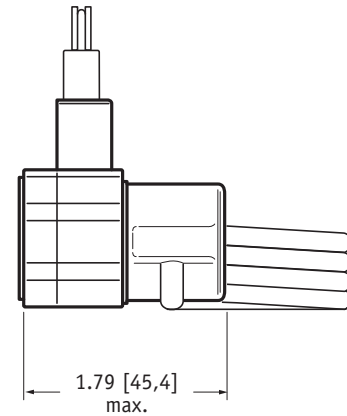
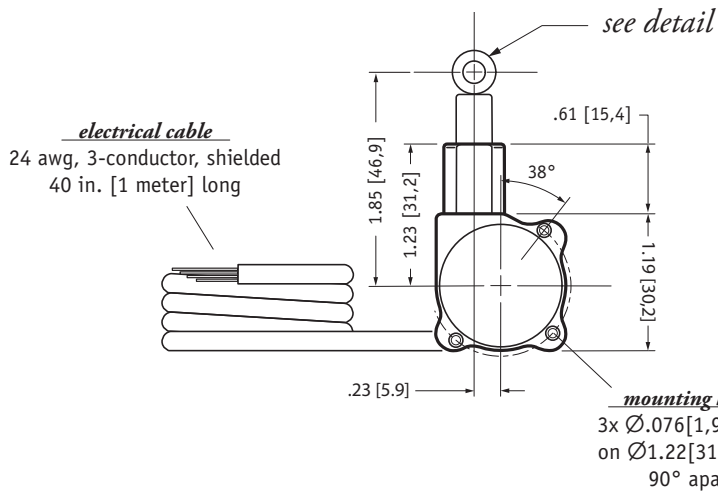
Mounting Options:



Outline Drawing (w/o bracket):



\*tolerance = +.005 -.001 [+.13 -.03]  
 \*\*tolerance = +.005 -.005 [+.13 -.13]



INCHES [MM]

Mounting Option Details:

