

CS15

Incremental Optical Encoder

Size 15, Low Profile

100 to 2500 ppi • 5–28 Vdc

OEM or Industrial Applications

Resolution Options	100, 1000, 2000, 2500 ppr
Output Driver	push-pull
Input Voltage	5...28 VDC
Environmental Suitability	IP50
Operating Temperature	0° to 185° F (-20° to 85° C)

ELECTRICAL

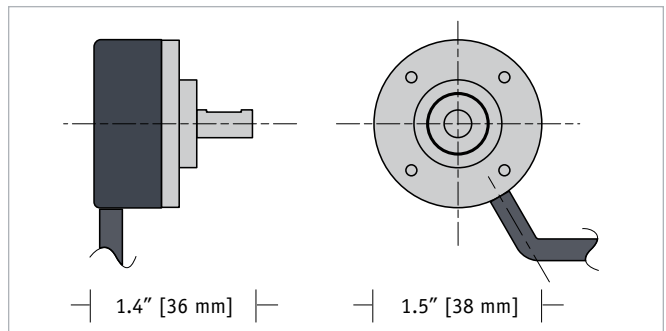
Input Current	100 mA, max.
Output Format	incremental, quadrature
Output Driver	push-pull, 20mA source/sink
Index	once per revolution
Max Frequency	200 KHz
Electrical Connection	18-inch, 26 AWG multi-conductor cable

MECHANICAL

Maximum Shaft Speed	8000 RPM
Flange	Aluminum
Shaft	Stainless Steel
Shaft Loading, Radial	5 lbs, max.
Shaft Loading, Axial	5 lbs, max.
Starting Torque	.05 oz-in.
Bearing Type	Precision Ball Bearings
Bearing Life, @60% of full rated load	1.2×10^{10} revolutions
Moment of Inertia	6.7×10^{-5} oz-in-sec ² (4.8 gm-cm ²)
Maximum Acceleration	1×10^5 rad/sec ²
Weight	3 oz.

ENVIRONMENTAL

Operating Temperature	0–185° F (-20–85° C)
Storage Temperature	-13°–185° F (-25°–85° C)
Humidity	98% RH non-condensing
Vibration	10 g @ 58 to 500 Hz
Shock	80 g @ 11 ms duration



The CS15 is Celesco's compact industry standard size 15, servo-mount incremental encoder. With a low profile of less than an inch in height and a diameter of only 1.5 inches, the economically priced CS15 is perfect for both the OEM and single-piece user alike. Precision ball bearings support a durable stainless steel shaft for reliable, long life operation.

Standard features include 100, 1000, 2000 or 2500 pulses per turn option, a push pull driver and complementary output channels for single-ended or differential output connection. Every encoder ships with state of the art opto-asic circuitry designed to provide a clean, reliable output signal to just about any PLC or electrical interface.

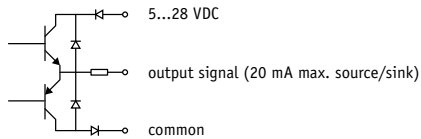
ORDERING INFORMATION

Order Number	pulses per turn
CS15-100	100
CS15-1000	1000
CS15-2000	2000
CS15-2500	2500

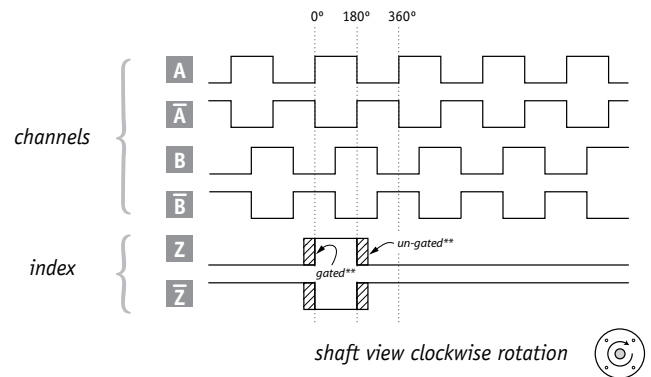
Signal Connections

color	signal	color	signal
red	5...28 VDC	white	channel B
black	common	gray	channel B'
green	channel A	yellow	Z
blue	channel A'	orange	Z'

Output Driver (1 of 4):

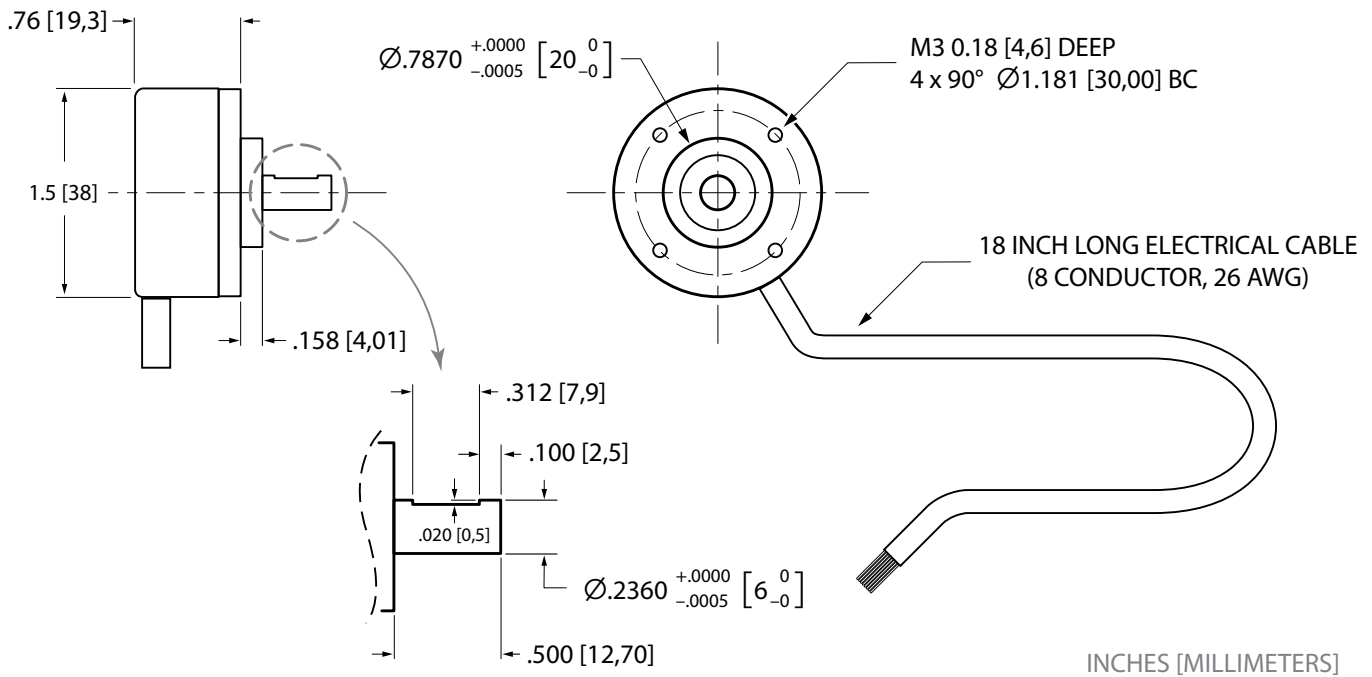


Output Waveforms



**note: - 1000, 2000, 2500 pulses-per-turn options — gated to A, index pulse = 180°
- 100 pulses-per-turn option — ungated, index pulse = approx 270°

Outline Drawing



version: 1.0 last updated: February 15, 2011