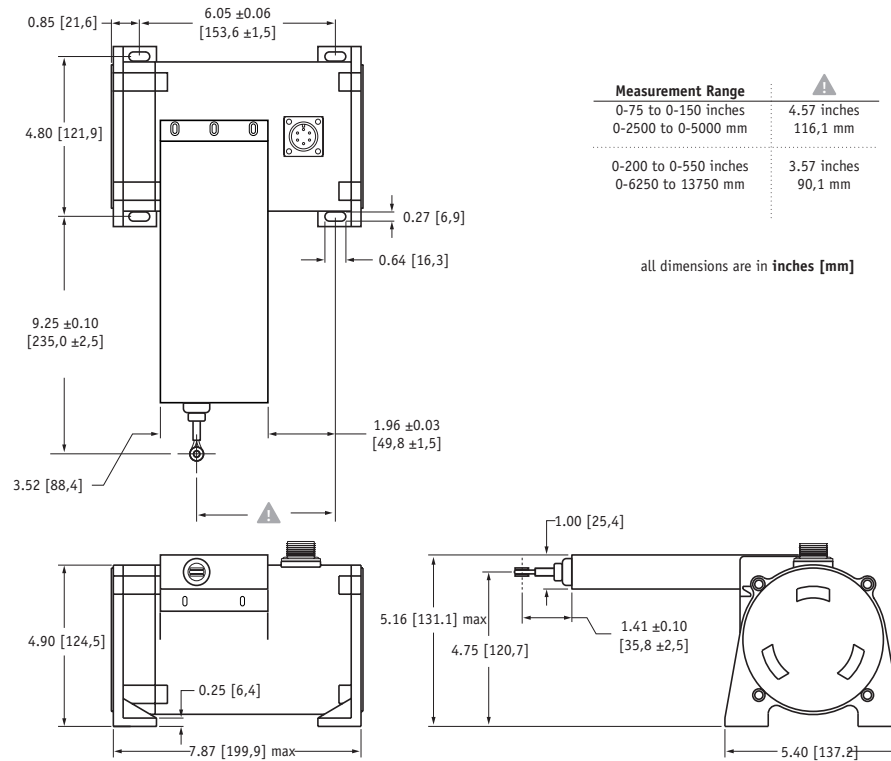


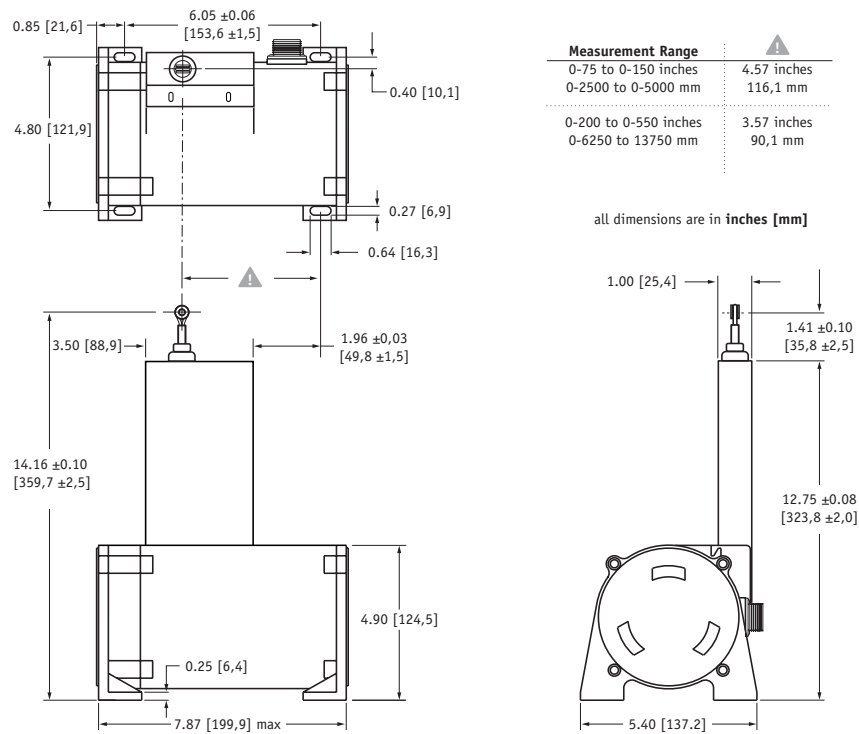


**Front Cable Exit Option**



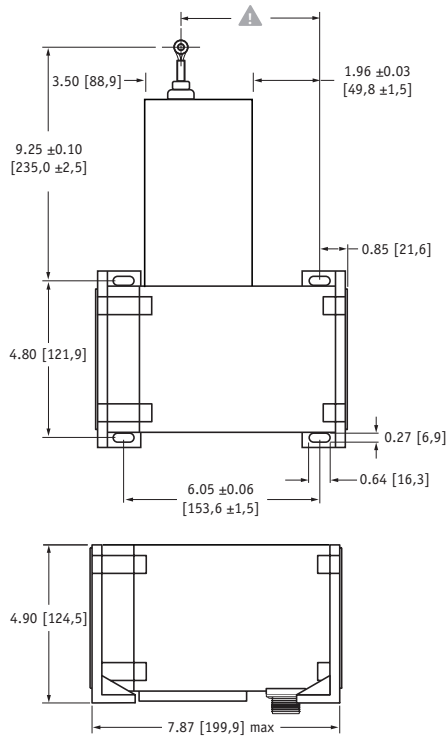
Note: Dimensions not valid for "increased cable tension" option. Consult factory for dimensions.

**Top Cable Exit Option**



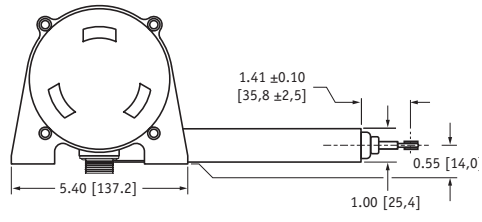
Note: Dimensions not valid for "increased cable tension" option. Consult factory for dimensions.

**Rear Cable Exit Option**



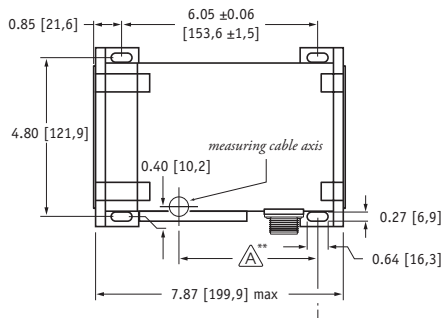
Measurement Range	⚠
0-75 to 0-150 inches	4.57 inches
0-2500 to 0-5000 mm	116,1 mm
0-200 to 0-550 inches	3.57 inches
0-6250 to 13750 mm	90,1 mm

all dimensions are in inches [mm]



Note: Dimensions not valid for "increased cable tension" option. Consult factory for dimensions.

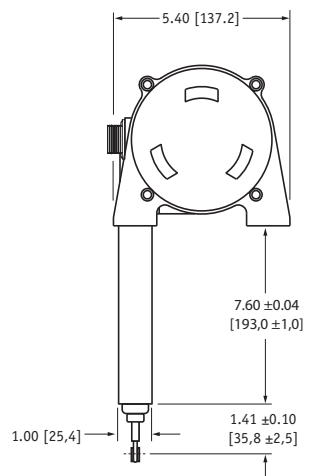
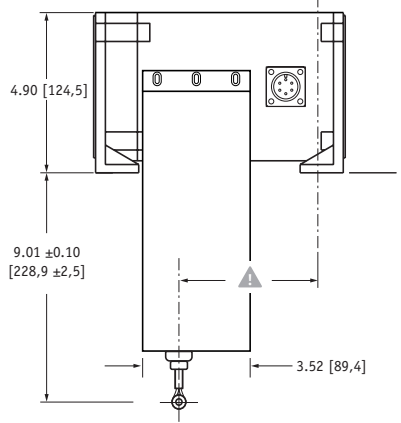
**Bottom Cable Exit Option**



\*\*Note: see "A" dimension on PT9000 outline drawing

Measurement Range	⚠
0-75 to 0-150 inches	4.57 inches
0-2500 to 0-5000 mm	116,1 mm
0-200 to 0-550 inches	3.57 inches
0-6250 to 13750 mm	90,1 mm

all dimensions are in inches [mm]



Note: Dimensions not valid for "increased cable tension" option. Consult factory for dimensions.

version: 1.0 last updated: March 30, 2005