

SK1

Voltage Divider Output Signal

Linear Position to 400 inches (10 m)

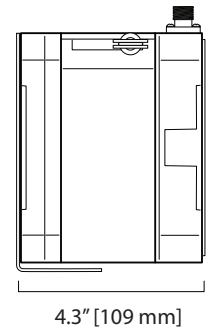
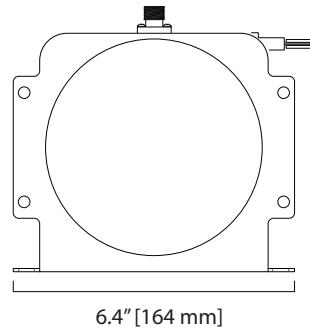
Compact Design • Simple To Install

User Adjustable Measuring Cable Orientation

IN STOCK for Quick Delivery!

SPECIFICATIONS

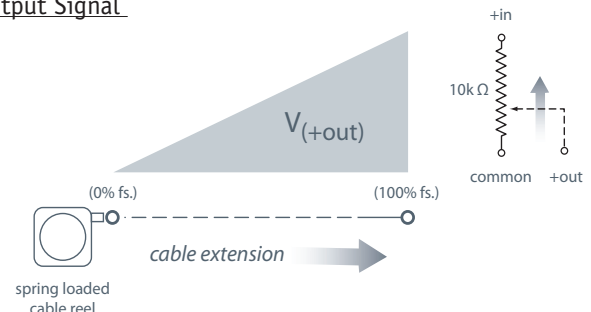
Stroke Range Options	250 inches (6.4 m), 400 inches (10.2 m)
Output Signal	voltage divider (potentiometric)
Accuracy	.35% FS.
Repeatability	.05% FS.
Resolution	essentially infinite
Measuring Cable	.031-inch dia. bare stainless steel
Maximum Cable Velocity	60 inches per second
Maximum Cable Acceleration	5 g
Measuring Cable Tension	23 oz. (6,4 N) ±40%
Sensor	plastic-hybrid precision potentiometer
Input Resistance	10K ohms, ±10%
Power Rating, Watts	2.0 at 70°F
Recommended Maximum Input Voltage	30 V (AC/DC)
Output Signal Change Over Full Stroke Range	94% ±4% of V(+in)
Cycle Life	≥ 250,000
Electrical Connection	4-pin M12 connector, mating plug included
Enclosure	glass-filled polycarbonate
Environmental	IP67
Operating Temperature	-40° to 185° F (-40° to 85° C)



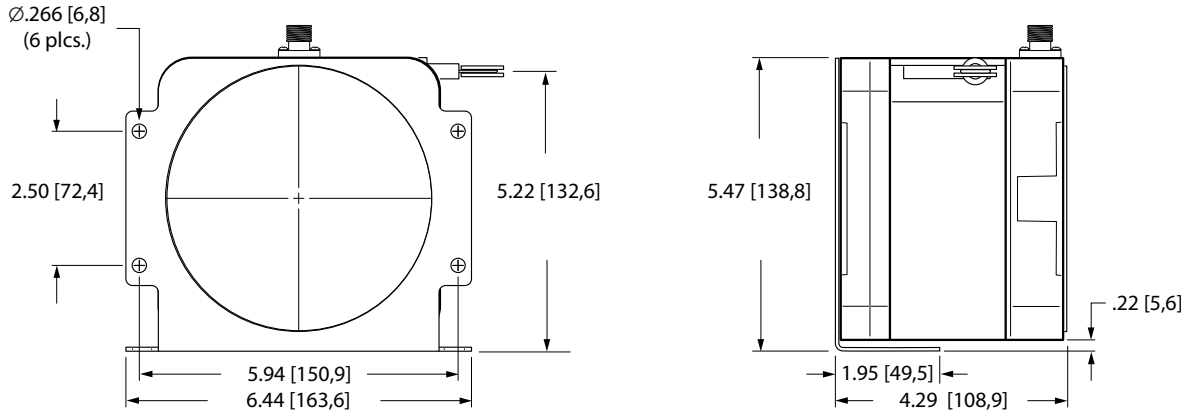
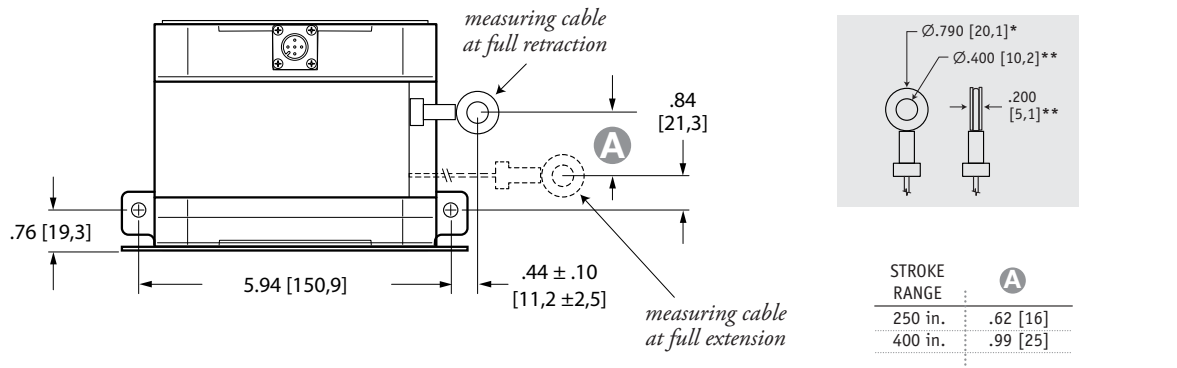
The SK1 is the perfect off-the-shelf linear position sensor for applications ranging from mobile construction equipment to hydraulic lift tables and anything else in between. Available in both 250 and 400-inch stroke ranges, this model offers the ultimate ease-of-use, compact design and user flexibility. Need to mount it upside down? Simply rotate its stainless mounting bracket to where you want it. Need the electrical connector to point in a different direction? Just rotate the rear cover to point the connector to the desired direction.

The SK1 is manufactured with a precision high-cycle plastic hybrid potentiometer and an extremely durable spring-loaded stainless steel measuring cable to deliver an accurate reliable voltage divider position feedback signal over the entire stroke. This model is economically priced making it the perfect solution for both the single piece user and OEM customers alike.

Output Signal



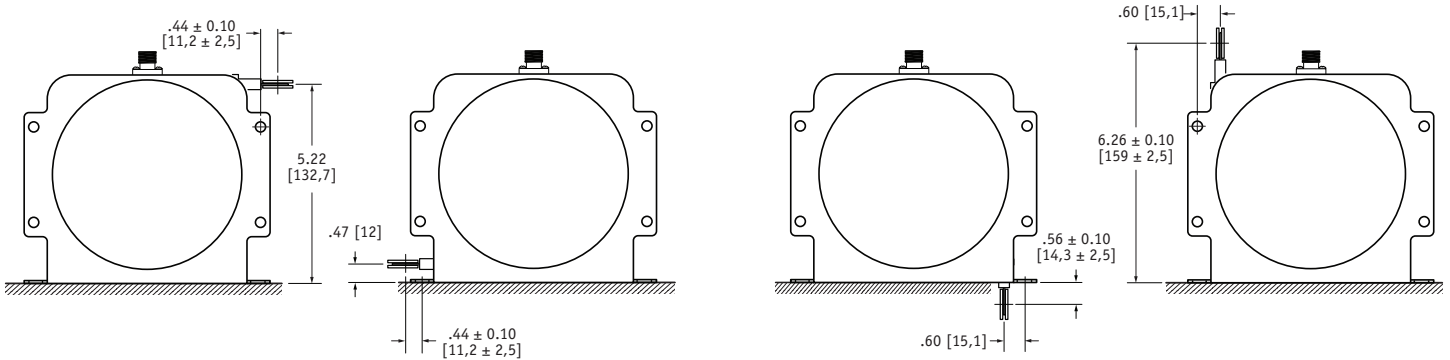
Outline Drawing:



DIMENSIONS ARE IN INCHES [MM]
tolerances are 0.04 IN. [1,0 MM] unless otherwise noted.

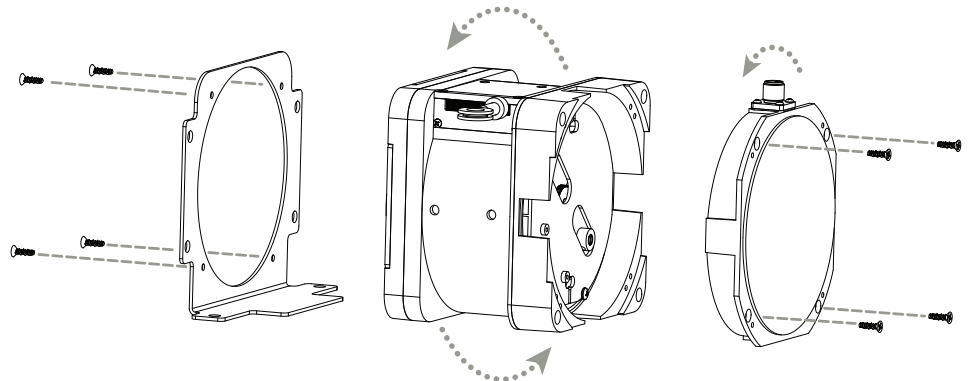
* tolerance = +.005 - .001 [+0,1 -0,0]
** tolerance = +.005 - .005 [+0,1 -0,1]

Mounting Options:

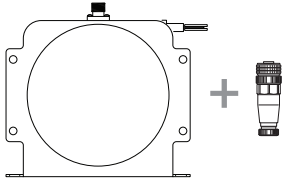


To change cable exit direction: simply remove the 4 bracket mounting screws and rotate sensor body to desired direction.

To change electrical connector orientation: remove the 4 rear screws and carefully remove the rear cover and rotate cover.



Ordering Information:



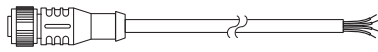
Part Number	full stroke range	accuracy	max. acceleration	measuring cable tension (± 40%)
SK1-250-3	250 in (6.4 m)	.35%	5 g	23 oz. (6,4 N)
SK1-400-3	400 in (10.2 m)	.35%	5 g	23 oz. (6,4N)

includes mounting bracket & mating connector.

Optional Cordsets

Part Number

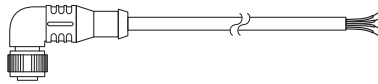
length wire size connector



9036810-0040

13 ft (4 m) 22 AWG (.34mm²)

straight
4-pin
M12

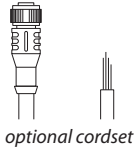
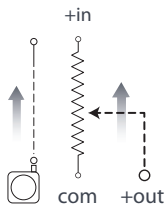


9036810-0041

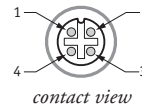
13 ft (4 m) 22 AWG (.34mm²)

90°
4-pin
M12

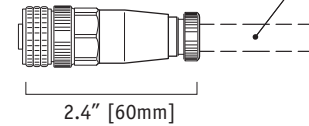
Electrical Connection:



field installable connector



customer supplied electrical cable
(.25 in [6 mm] max. dia.)



signals	pin	pin - color
+in	1	1 - brown
common	2	2 - white
+out	3	3 - blue
n/c	4	4 - black

Version: 2.0 last updated: February 2, 2016