

Cable-Extension Position Transducer

Incremental Encoder Output

Ranges: 0-25, 0-50 in. • 0-625, 0-1250 mm

Compact Size • OEM Applications

PT1E

Specification Summary:

GENERAL

Full Stroke Range Options 0-25 to 0-50 inches
 Output Signal incremental encoder (quadrature)
 Accuracy 0.04% full stroke *contact factory for higher accuracy*
 Repeatability $\pm 0.02\%$ full stroke
 Resolution Options 25 to 1250 pulses per inch
 Measuring Cable Options019-in. dia. nylon-coated stainless steel
 Enclosure Material glass-filled polycarbonate and black anodized aluminum
 Sensor optical encoder
 Maximum Retraction Acceleration *see ordering information*
 Weight 1 lb. max.

ELECTRICAL

Input Voltage *see ordering information*
 Input Current *see ordering information*

ENVIRONMENTAL

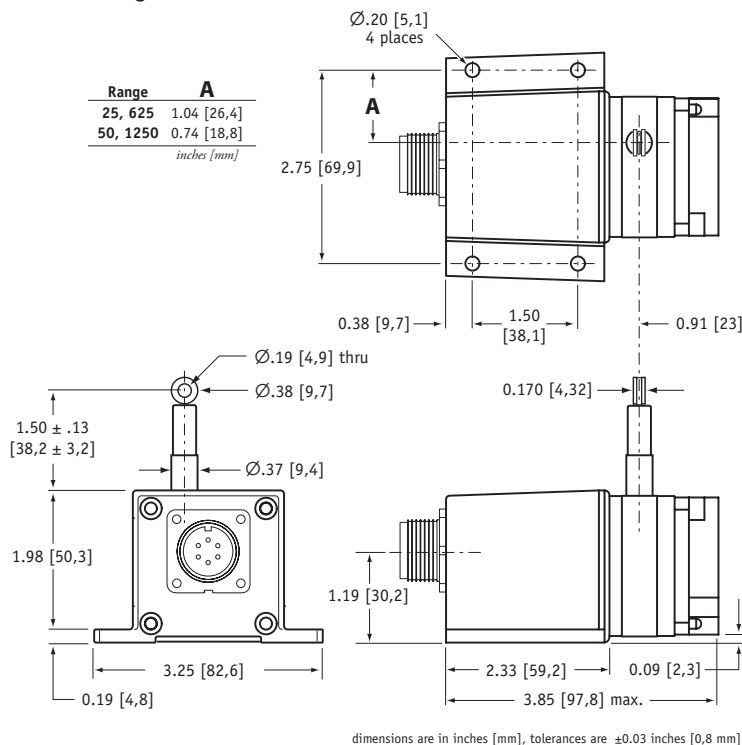
Enclosure NEMA 4, IP 65
 Operating Temperature 0° to 160°F (-17° to 71°C)
 Vibration up to 10 G's to 2000 Hz maximum



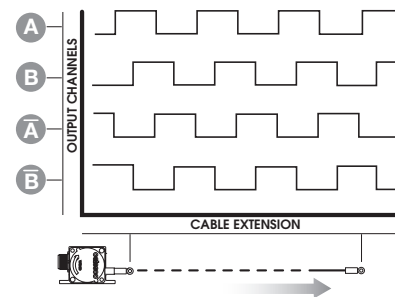
The heart of the PT1E is an incremental optical encoder which delivers a quadrature formatted digital pulse train. This compact transducer is available with several resolution options for a wide variety of applications from high accuracy position feedback to slow velocity feedback requirements.

The PT1E has many options available including full stroke measurement ranges from 0-2 inches up to 0-50 inches, different output drivers and alternate measuring cable exits.

Outline Drawing



Output Signal



Ordering Information:

Model Number:

PT1E - - - - - -
order code: **R** **A** **B** **C** **D** **E**

Sample Model Number:

PT1E - 25 - UP - 50 - AB-TTL - MC4 - SG

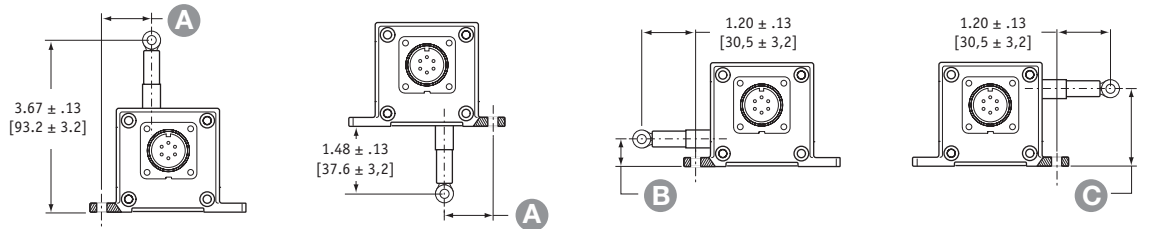
- R** range: 25 inches
- A** measuring cable exit: up
- B** resolution: 50 pulses per inch
- C** electrical connection: 4-pin micro connector
- D** output signal: TTL/CMOS driver, Channels A,B
- E** cable guide: spring-loaded guide

Full Stroke Range:

R order code:	25	50	625	1250
full stroke range, min:	25 in.	50 in.	625 mm	1250 mm
cable tension (±20%):	12 oz.	6 oz.	3,3 N	1,6 N
cable acceleration, max.:	11 G's	4 G's	11 G's	4 G's
resolution options:	50, 500, 1000, 1250 pulses per inch	25, 250, 500, 625 pulses per inch	2, 20, 40, 50 pulses per mm	1, 10, 20, 25 pulses per mm

Cable Exit:

A order code: **UP** **DN** **FR** **BK**
 direction: up down front back



measurement range	25	50	625	1250
A	1.04 in. 26,4 mm	0.74 in. 18,8 mm	1.04 in. 26,4 mm	0.74 in. 18,8 mm
B	0.75 in. 19,1 mm	0.45 in. 11,4 mm	0.75 in. 19,1 mm	0.45 in. 11,4 mm
C	1.43 in. 36,3 mm	1.73 in. 43,9 mm	1.43 in. 36,3 mm	1.73 in. 43,9 mm

Resolution:

B order code: **50** **500** **1000** **1250**
25-inch full stroke range: 50 ±1 pulses per inch 500 ±10 pulses per inch 1000 ±20 pulses per inch 1250 ±24 pulses per inch

B order code: **25** **250** **500** **625**
50-inch full stroke range: 25 ±0.5 pulses per inch 250 ±5 pulses per inch 500 ±10 pulses per inch 625 ±12 pulses per inch

B order code: **2** **20** **40** **50**
625 mm full stroke range: 2 ±0,04 pulses per mm 20 ±0,4 pulses per mm 40 ±0,8 pulses per mm 50 ±1 pulses per mm

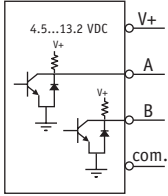
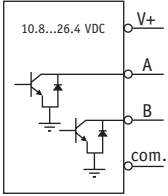
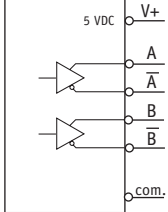
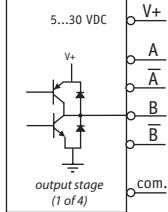
B order code: **1** **10** **20** **25**
1250 mm full stroke range: 1 ±0,02 pulses per mm 10 ±0,2 pulses per mm 20 ±0,4 pulses per mm 25 ±0,5 pulses per mm

Ordering Information (cont.)

Output Signals:

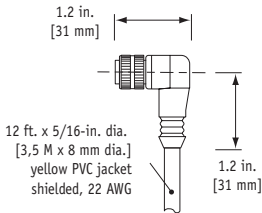
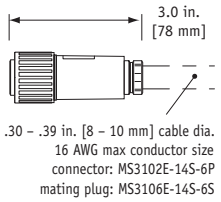
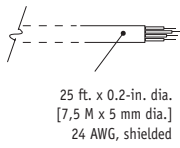

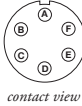
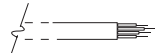
④ order code:

output driver:

AB-TTL	AB-OC	ABC-LD	ABC-UD
TTL - CMOS	Open Collector	5 V - Line Driver	Universal Line Driver
Input voltage (V+): 4.5...13.2 Vdc Sink current: 20 mA max. Input current: 80 mA max.	Input voltage (V+): 10.8...26.4 Vdc Sink current: 20 mA max. Input current: 80 mA max.	Input voltage (V+): 5 Vdc Sink current: 20 mA max. Input current: 150 mA max.	Input voltage (V+): 5...30 VDC Source/Sink: 20 mA max. Input current: 100 mA max, no load
			

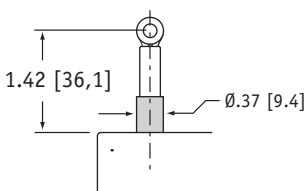
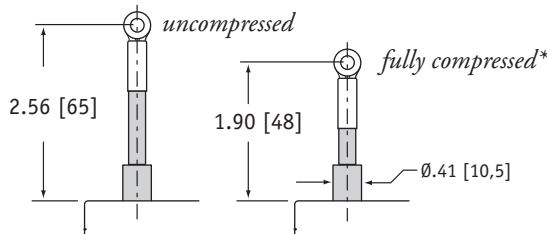
Electrical Connection:

① order code:

MC4	M6	C25																																																									
4-pin micro-connector with 12 ft [3.5 M] cordset	6-pin plastic connector with mating plug	25-ft. instrumentation cable 24 AWG, shielded																																																									
																																																											
4-pin mating plug and cordset 	6-pin mating plug 	25-ft. cable 																																																									
<table border="1"> <thead> <tr> <th>pin</th> <th>color code</th> <th>TTL/CMOS Open Collector</th> </tr> </thead> <tbody> <tr> <td>1</td> <td>RED-BLK TR.</td> <td>input voltage</td> </tr> <tr> <td>2</td> <td>RED-WHT TR.</td> <td>channel A</td> </tr> <tr> <td>3</td> <td>RED</td> <td>channel B</td> </tr> <tr> <td>4</td> <td>GREEN</td> <td>common</td> </tr> </tbody> </table>	pin	color code	TTL/CMOS Open Collector	1	RED-BLK TR.	input voltage	2	RED-WHT TR.	channel A	3	RED	channel B	4	GREEN	common	<table border="1"> <thead> <tr> <th>pin</th> <th>TTL/CMOS Open Collector</th> <th>5 V Line Driver Universal Line Driver</th> </tr> </thead> <tbody> <tr> <td>A</td> <td>input voltage</td> <td>input voltage</td> </tr> <tr> <td>B</td> <td>common</td> <td>common</td> </tr> <tr> <td>C</td> <td>channel A</td> <td>channel A</td> </tr> <tr> <td>D</td> <td>channel B</td> <td>channel B</td> </tr> <tr> <td>E</td> <td>-</td> <td>channel A'</td> </tr> <tr> <td>F</td> <td>-</td> <td>channel B'</td> </tr> </tbody> </table>	pin	TTL/CMOS Open Collector	5 V Line Driver Universal Line Driver	A	input voltage	input voltage	B	common	common	C	channel A	channel A	D	channel B	channel B	E	-	channel A'	F	-	channel B'	<table border="1"> <thead> <tr> <th>color</th> <th>TTL/CMOS Open Collector</th> <th>5 V Line Driver Universal Line Driver</th> </tr> </thead> <tbody> <tr> <td>red</td> <td>input voltage</td> <td>input voltage</td> </tr> <tr> <td>black</td> <td>common</td> <td>common</td> </tr> <tr> <td>green</td> <td>channel A</td> <td>channel A</td> </tr> <tr> <td>white</td> <td>channel B</td> <td>channel B</td> </tr> <tr> <td>blue</td> <td>-</td> <td>channel A'</td> </tr> <tr> <td>brown</td> <td>-</td> <td>channel B'</td> </tr> </tbody> </table>	color	TTL/CMOS Open Collector	5 V Line Driver Universal Line Driver	red	input voltage	input voltage	black	common	common	green	channel A	channel A	white	channel B	channel B	blue	-	channel A'	brown	-	channel B'
pin	color code	TTL/CMOS Open Collector																																																									
1	RED-BLK TR.	input voltage																																																									
2	RED-WHT TR.	channel A																																																									
3	RED	channel B																																																									
4	GREEN	common																																																									
pin	TTL/CMOS Open Collector	5 V Line Driver Universal Line Driver																																																									
A	input voltage	input voltage																																																									
B	common	common																																																									
C	channel A	channel A																																																									
D	channel B	channel B																																																									
E	-	channel A'																																																									
F	-	channel B'																																																									
color	TTL/CMOS Open Collector	5 V Line Driver Universal Line Driver																																																									
red	input voltage	input voltage																																																									
black	common	common																																																									
green	channel A	channel A																																																									
white	channel B	channel B																																																									
blue	-	channel A'																																																									
brown	-	channel B'																																																									

Cable Guide:

⑤ order code:

blank	SG
standard cable guide	spring-loaded guide
	

*note: start of full stroke range begins at full compression point

version: 4.0 last updated: April 28, 2010