

# SKD

## User Selectable 4..20mA / 0..10Vdc Output

Linear Position to 400 inches (10 m)

Compact Design • Simple To Install

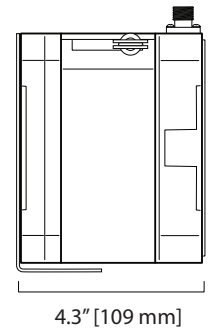
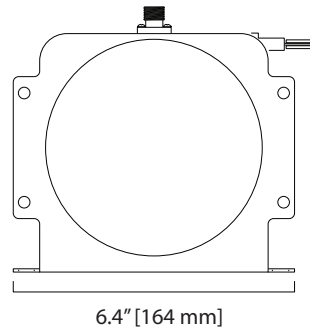
User Adjustable Measuring Cable Orientation

**IN STOCK for Quick Delivery!**



### SPECIFICATIONS

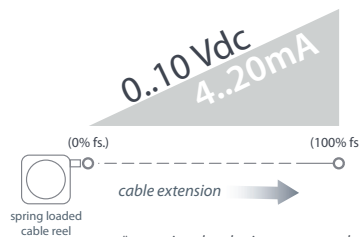
Stroke Range Options	250 inches (6.4 m), 400 inches (10.2 m)
User Selectable Output Signal	4...20mA (2-wire) / 0...10 Vdc
Input Voltage, 4...20mA Option	8-40 Vdc
Input Voltage, 0...10 Vdc Option	12-32 Vdc
Accuracy	.35% FS.
Repeatability	.05% FS.
Resolution	essentially infinite
Measuring Cable	.031-inch dia. bare stainless steel
Maximum Cable Velocity	60 inches per second
Maximum Cable Acceleration	5 g
Measuring Cable Tension	23 oz. (6.4 N) ±40%
Sensor	plastic-hybrid precision potentiometer
Cycle Life	≥ 250,000
Electrical Connection	4-pin M12 connector, mating plug included
Enclosure	glass-filled polycarbonate
Environmental	IP67
Operating Temperature	-40° to 185° F (-40° to 85° C)



Available in both 250 and 400-inch stroke ranges, this off-the-shelf linear position sensor is the perfect solution for applications ranging from mobile construction equipment to hydraulic lift tables and anything else in between. The SKD offers compact design, ease of use and the utmost in flexibility. Every unit offers the customer a user-selectable 4-20 mA or 0-10VDC output signal option, an easily adjustable stainless steel mounting bracket for multiple installation options and the ability to change the direction of the electrical connector to accommodate the user's wiring needs.

Our unique electronic circuitry and an extremely durable spring-loaded stainless steel measuring cable deliver an accurate reliable "absolute" position feedback signal over the entire stroke. This model is economically priced making it the perfect solution for both the single piece user and OEM customers alike.

### Output Signal



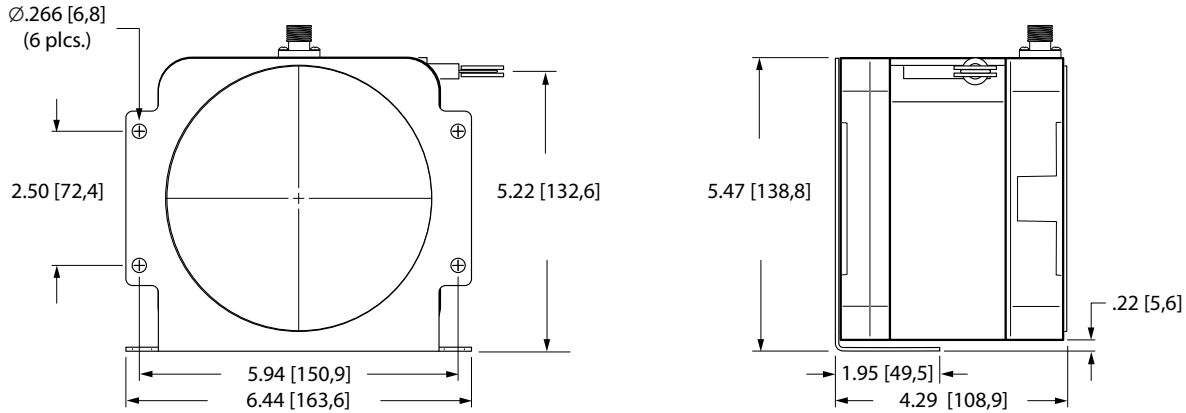
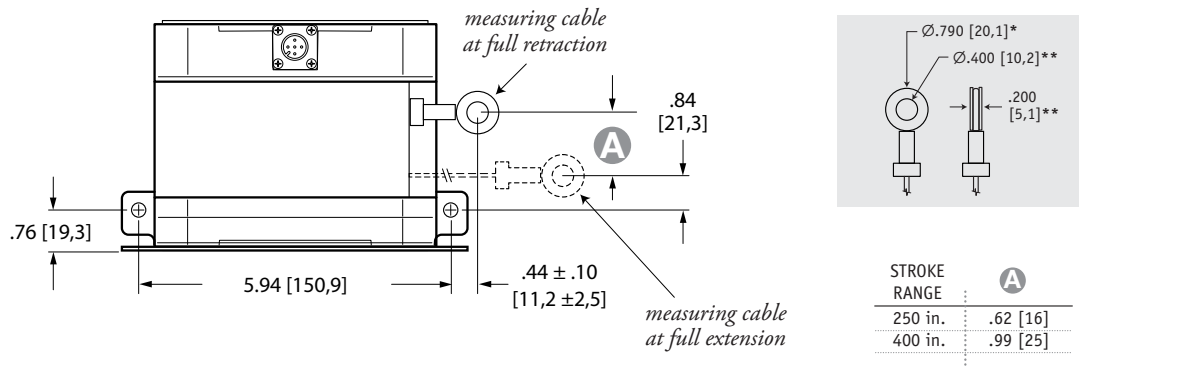
signal endpoint tolerances

Output Signal*	0% fs.	100% fs.
4..20 mA	4 - 4.25 mA	19.2 - 20 mA
0..10 Vdc	0 - .2 Vdc	9.5 - 10 Vdc

\*note: signal endpoints are set at the time of manufacture and cannot be adjusted



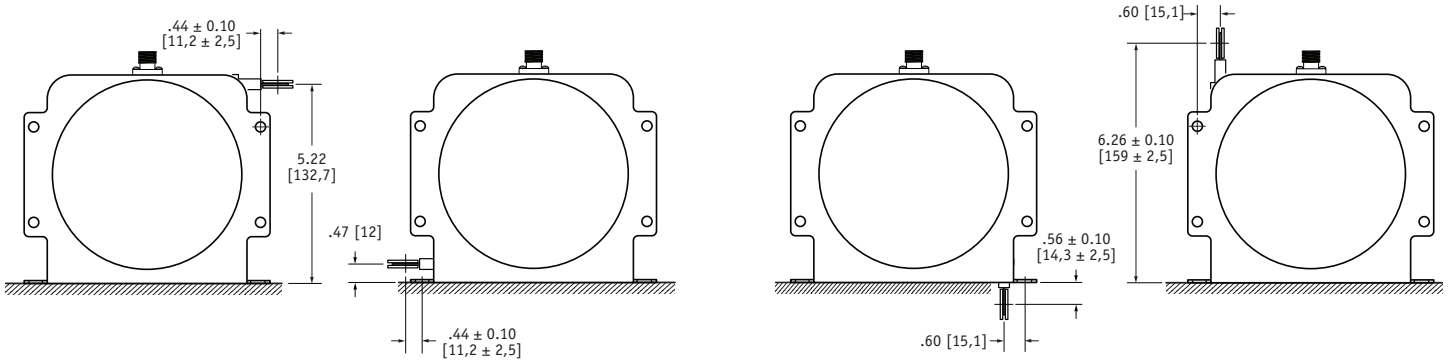
**Outline Drawing:**



DIMENSIONS ARE IN INCHES [MM]  
tolerances are 0.04 IN. (1.0 MM) unless otherwise noted.

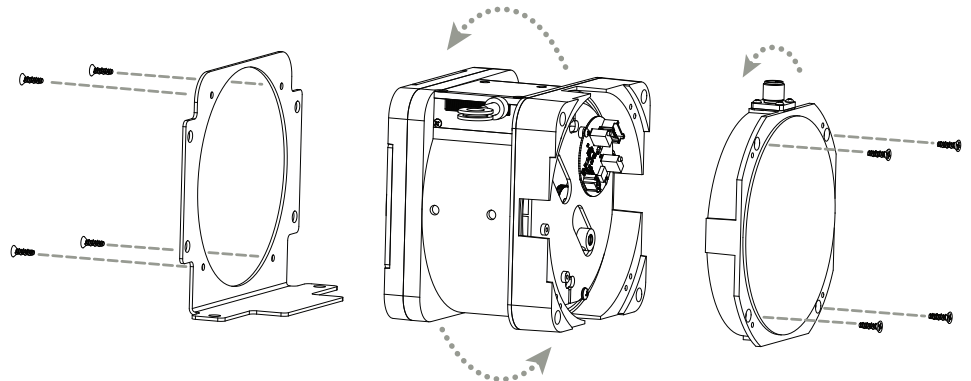
\* tolerance = +.005 - .001 [+0,1 - 0,0]  
\*\* tolerance = +.005 - .005 [+0,1 - 0,1]

**Mounting Options:**

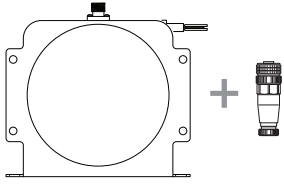


**To change cable exit direction:**  
simply remove the 4 bracket mounting screws and rotate sensor body to desired direction.

**To change electrical connector orientation:** remove the 4 rear screws and carefully remove the rear cover and rotate cover.



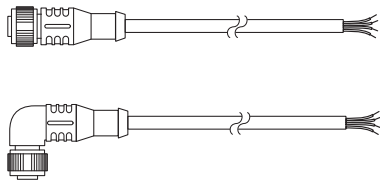
Ordering Information:



Part Number	full stroke range	accuracy	max. acceleration	measuring cable tension (± 40%)
<b>SKD-250-3</b>	250 in (6.4 m)	.35%	5 g	23 oz. (6,4 N)
<b>SKD-400-3</b>	400 in (10.2 m)	.35%	5 g	23 oz. (6,4N)

includes mounting bracket & mating connector.

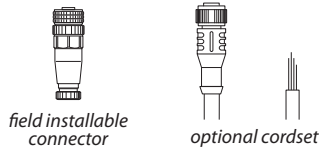
Optional Cordsets



Part Number	length	wire size	connector
<b>9036810-0040</b>	13 ft (4 m)	22 AWG (.34mm <sup>2</sup> )	straight 4-pin M12
<b>9036810-0041</b>	13 ft (4 m)	22 AWG (.34mm <sup>2</sup> )	90° 4-pin M12

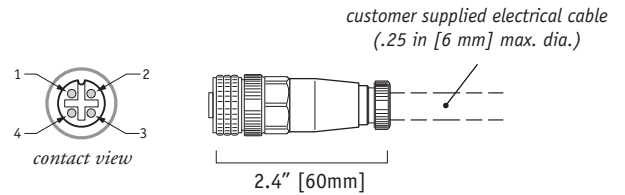
Electrical Connection:

**Output Signals**

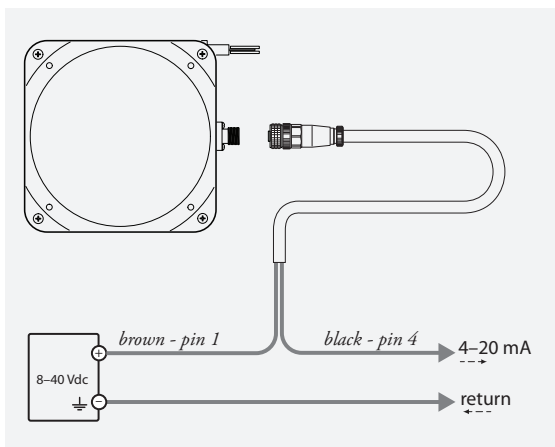


0..10Vdc	4..20mA	pin	pin - color
12..32 Vdc	8..40 Vdc	1	1 - brown
0..10 Vdc	n/c	2	2 - white
n/c	n/c	3	3 - blue
common	4..20 mA	4	4 - black

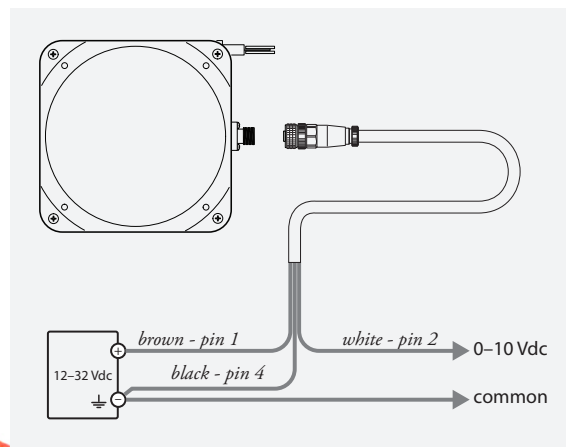
*field installable connector*



*4...20 mA Signal Connections*



*0...10 Vdc Signal Connections*



Version: 2.0 last updated: February 2, 2016

