

PT9301 (Extended Range)

Extended Ranges • Position/Velocity Output

Linear Position/Velocity to 1700 inches (4300 cm)

Stroke Range Options: 0-600 to 0-1700 inches

VLS Option To Prevent Free-Release Damage

IP68 • NEMA 6 Protection

GENERAL

Full Stroke Range Options (on this datasheet)	0-600 to 0-1700 inches
Measuring Cable Options	stainless steel or thermoplastic
Enclosure Material	powder-painted aluminum
Sensor, Position	plastic-hybrid precision potentiometer
Sensor, Velocity	DC tach generator
Maximum Retraction Acceleration	see ordering information
Maximum Velocity	see ordering information
Weight, Aluminum (Stainless Steel) Enclosure	14 lbs. (28 lbs.) max.

POSITION

Output Signal	voltage divider (potentiometer)
Accuracy	± 0.10% full stroke
Repeatability	± 0.02% full stroke
Resolution	essentially infinite
Sensor, Position	plastic-hybrid precision potentiometer
Potentiometer Cycle Life	≥250,000
Input Resistance Options	500, 1K, 5K or 10K Ω (see ordering information)
Power Rating, Watts	2.0 at 70°F derated to 0 at 250°F
Recommended Maximum Input Voltage	30V (AC/DC)
Output Signal Change Over Full Stroke Range	94% ±4% of input voltage

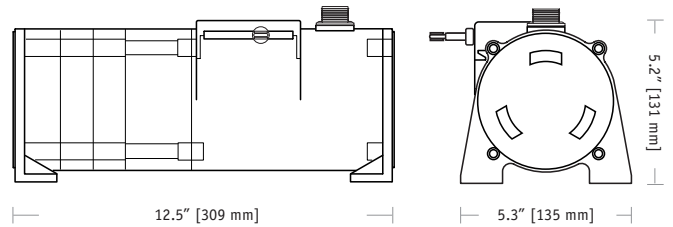
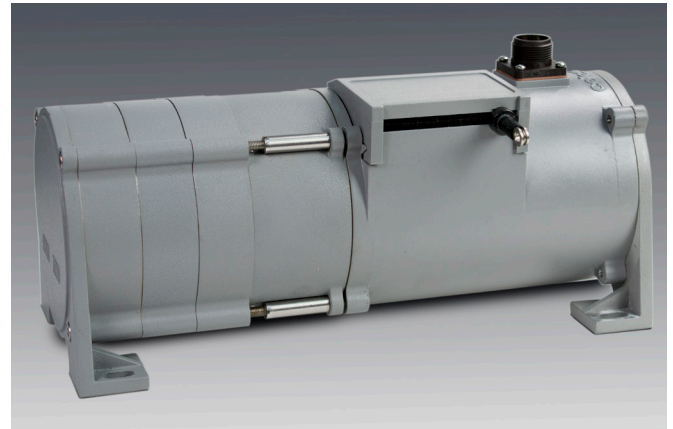
VELOCITY

Output Signal	DC tachometer output
Linearity	better than ±0.10% of output at any velocity
Repeatability	±0.10% of reading
Sensor	tach generator
Input Voltage	none required
Output Voltage @ 100 inches per minute	361 mV ±3%
Output Impedance	350 ohms ±10%
Output Ripple (for velocity ≥ 1.29 inches per second)	±3% rms

ENVIRONMENTAL

Enclosure	NEMA 4/4X/6, IP 67/68
Operating Temperature	-40° to 200°F (-40° to 90°C)
Vibration	up to 10 g to 2000 Hz maximum

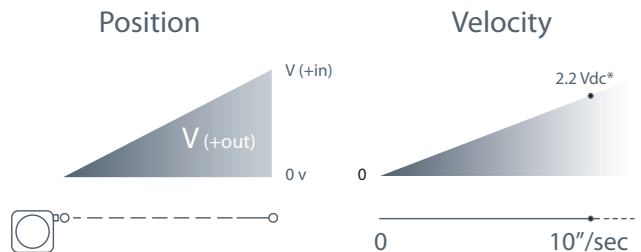
20630 Plummer Street • Chatsworth, CA 91311 • Meas-Spec.com
tel: 800.423.5483 • +1.818.701.2750 • fax: +1.818.701.2799



The PT9301 is a combination position and velocity transducer for demanding long-range applications requiring a linear position measurements in ranges up to 1700". A precision plastic-hybrid potentiometer provides accurate position feedback while a self-generating DC tachometer provides a velocity signal that is proportional to the speed of the traveling stainless-steel measuring cable.

As a member of Celesco's innovative family of NEMA-4 rated cable-extension transducers, the PT9301 offers numerous benefits. It installs in minutes, functions properly without perfectly parallel alignment, and when its cable is retracted, it measures only 6".

Output Signal:

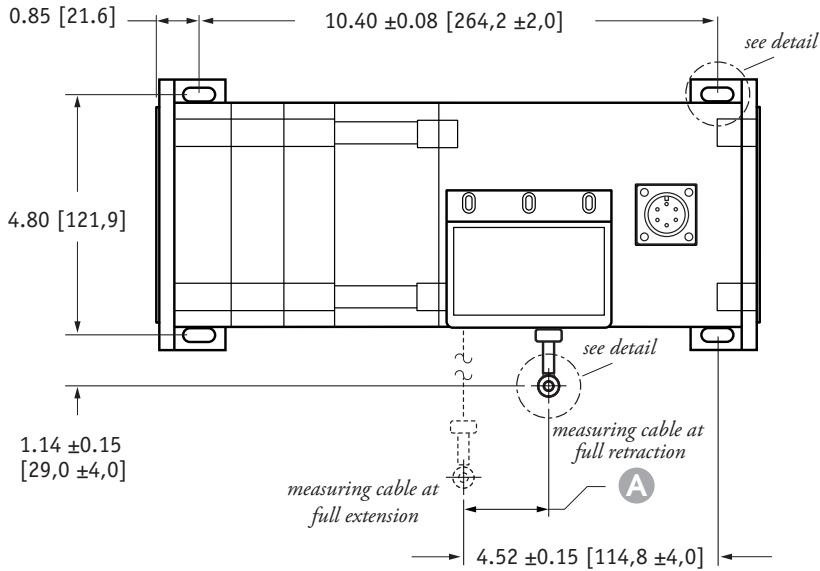


*velocity output rate = 361 mV ± 3% @ 100 inches per min.

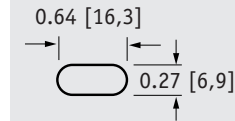


formally Celesco Transducer Products, Inc.
celesco.com • info@celesco.com

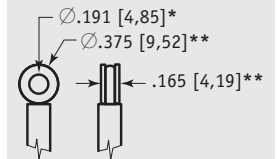
Outline Drawing



mounting hole detail

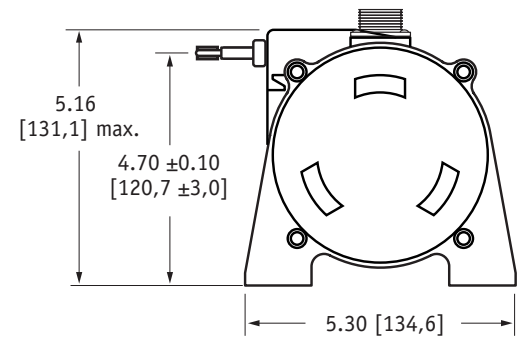
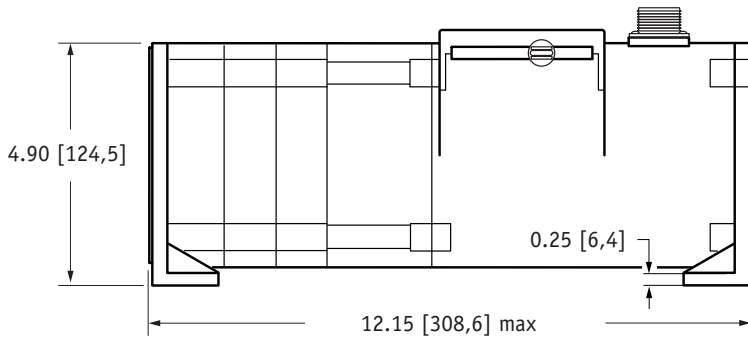


eyelet detail



A DIMENSION

RANGE	inches [mm]
600	1.76 [44,7]
800	1.58 [40,1]
1000	1.98 [50,2]
1200	1.98 [50,2]
1500	1.86 [47,2]
1700	2.11 [53,6]



DIMENSIONS ARE IN INCHES [MM]
tolerances are 0.03 IN. [0.5 MM] unless otherwise noted.

* tolerance = +.005 -.001 [+.13 -.03]
** tolerance = +.005 -.005 [+.13 -.13]

Ordering Information:

Model Number:

PT9301- _____ **- 1** _____ **- 1** _____ **0**
order code: **R** **A** **B** **C** **D** **E** **F** **G**

Sample Model Number:

PT9301 - 1200 - 111 - 1110

- R** range: 1200 inches
- B** measuring cable: nylon-coated stainless
- C** cable exit: front
- D** output signal: 500 ohm position / DC tachoi
- F** electrical connection: 6-pin plastic connector

Full Stroke Range:

R <i>order code:</i>	0600	0800	1000	1200	1500	1700
full stroke range, min:	600 in.	800 in.	1000 in.	1200 in.	1500 in.	1700 in.
cable tension (±35%):	27 oz.	24 oz.	20 oz.	19 oz.	18 oz.	17 oz.

Ordering Information (cont.):

Measuring Cable:

① order code:	1	2
cable construction:	nylon-coated stainless steel rope*	bare stainless steel rope*
general use:	indoor	outdoor, debris, high temperature

*cable diameter:	stroke range:	0600	0800	1000	1200	1500	1700
	nylon-coated stainless:	.034 in.	.019 in.	.019 in.	.019 in.	.014 in.	.014 in.
	bare stainless:	.031 in.	.018 in.	.018 in.	.018 in.	.015 in.	.015 in.

Cable Exit:

① order code:	1	2	3	4
	front	top	back	down

Output Signals:

① order code:	1	2	3	4
position sensing potentiometer:	500 ohms*	1000 ohms*	5000 ohms*	10,000 ohms*
position sensing circuit	<p>value specified by ordercode</p>			velocity sensing circuit

*-tolerance = ±10%

Electrical Connection:

① order code:	1	3	4																																
	6-pin plastic connector with mating plug IP 67, NEMA 4X*, 6	6-pin metal connector with mating plug IP 65, NEMA 4	25-ft. instrumentation cable 24 AWG, shielded IP 67, NEMA 6																																
	<p>1/2 - 5/16" [14 - 8 mm] cable dia. 16 AWG max conductor size connector: MS3102E-14S-6P mating plug: MS3106E-14S-6S</p>	<p>3/8-in. [9 mm] max cable dia. 16 AWG max conductor size connector: MS3102E-14S-6P mating plug: MS3106E-14S-6S</p>	<p>25 ft. x 0.2-in. dia. [7.5 M x 5 mm dia.] 24 AWG, shielded</p>																																
	6-pin mating plug: <table border="0"> <tr> <td>pin</td> <td>signal</td> <td rowspan="2">} position</td> </tr> <tr> <td>A</td> <td>+ in</td> </tr> <tr> <td>B</td> <td>common</td> <td rowspan="2">} velocity</td> </tr> <tr> <td>C</td> <td>+ out</td> </tr> <tr> <td>D</td> <td>-</td> <td rowspan="2">} velocity</td> </tr> <tr> <td>E</td> <td>+ out</td> </tr> <tr> <td>F</td> <td>- out</td> </tr> </table>	pin	signal	} position	A	+ in	B	common	} velocity	C	+ out	D	-	} velocity	E	+ out	F	- out	<p>contact view</p>	25-ft. instrumentation cable: <table border="0"> <tr> <td>color</td> <td>signal</td> <td rowspan="2">} position</td> </tr> <tr> <td>red</td> <td>+ in</td> </tr> <tr> <td>black</td> <td>common</td> <td rowspan="2">} velocity</td> </tr> <tr> <td>green</td> <td>+ out</td> </tr> <tr> <td>white</td> <td>+ out</td> <td rowspan="2">} velocity</td> </tr> <tr> <td>brown</td> <td>- out</td> </tr> </table>	color	signal	} position	red	+ in	black	common	} velocity	green	+ out	white	+ out	} velocity	brown	- out
pin	signal	} position																																	
A	+ in																																		
B	common	} velocity																																	
C	+ out																																		
D	-	} velocity																																	
E	+ out																																		
F	- out																																		
color	signal	} position																																	
red	+ in																																		
black	common	} velocity																																	
green	+ out																																		
white	+ out	} velocity																																	
brown	- out																																		

*-applies to stainless steel enclosure only

version: **9.0** last updated: **February 24, 2016**

