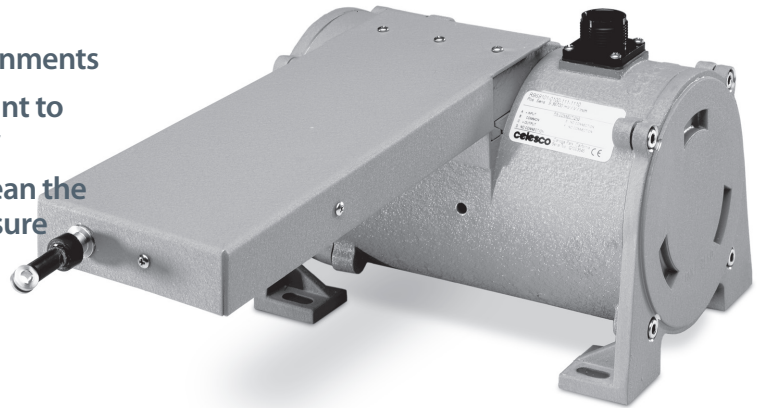


RBS9000

Extra Protection Against Extraordinarily Dirty Environments

Reduces the cable-exit opening down to a single point to prevent excess debris from entering the spool cavity

RBS option uses two sets of cable brushes to help clean the measuring cable before it is retracted into the enclosure



For All PT9000 & PT9000 Extended Range Series
(some exceptions apply, see below)

Designed for extreme applications where exceptional amounts of dirt, spray or some other foreign matter may enter through the standard PT9000 'slot opening' and interfere with the cable reel mechanism. The RBS9000 reduces the cable opening down to a single-point exit to block most debris from entering the cable-reel area.

Because some debris may get drawn into the transducer by the measuring cable upon retraction, we've added two integral cable brushes to help wipe away any matter that might be clinging to it.

Ordering Information:

The appropriate PT9000 Series transducer can be selected from any model found in the Celesco PT9000 and PT9000 Extended sections in the Celesco catalog. VLS is used as a prefix for all VLS model designations.

Ordercode Example:



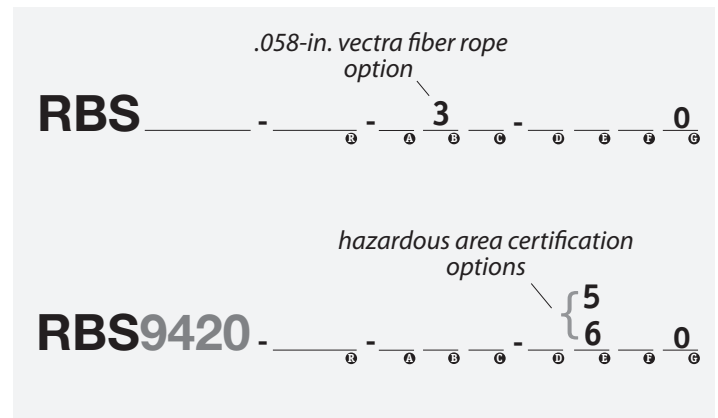
creating RBS model number (example):

- PT9101-0600-111-1110 select **PT9000** model
- ✗ 9101-0600-111-1110 remove "PT"
- RBS + 9101-0600-111-1110 add "RBS"
- RBS9101-0600-111-1110 completed model number

Exceptions**:

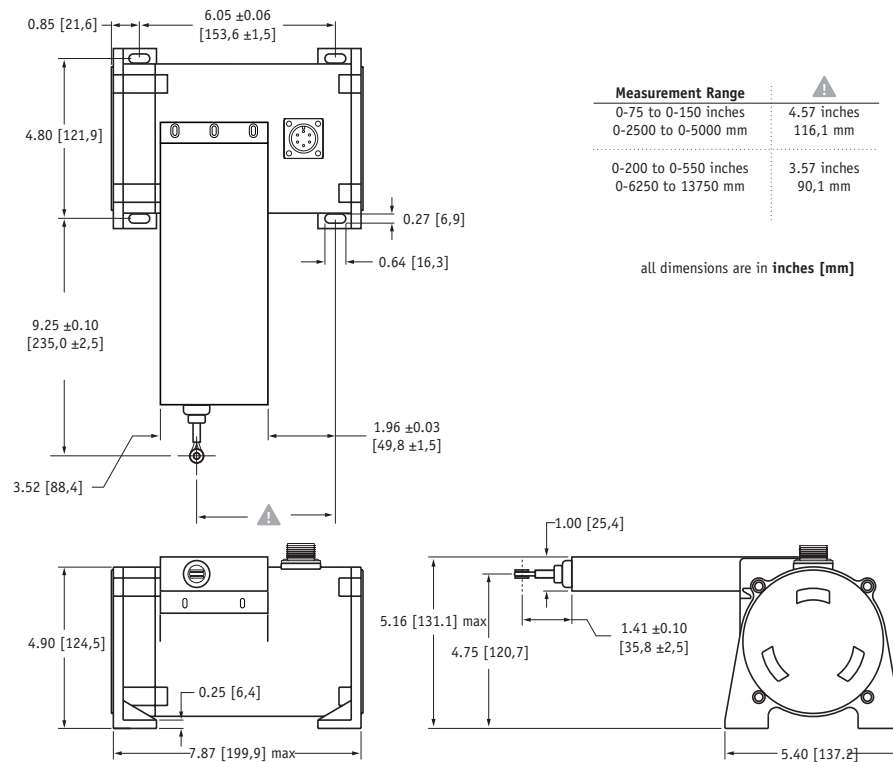
Please note that while the RBS option is available for most PT9000 model numbers, exceptions include the .058-inch dia. vectra fiber rope option (all models) and hazardous area intrinsically safe output signal option of the PT9420.

Not Available (example):



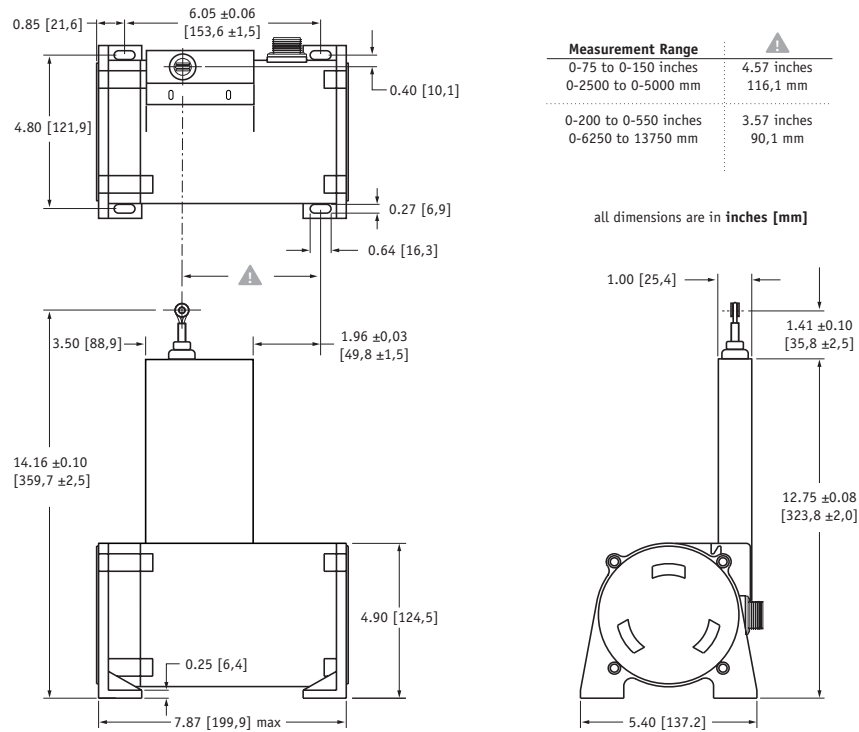
**note: for options or models not available, please contact factory.

Front Cable Exit Option



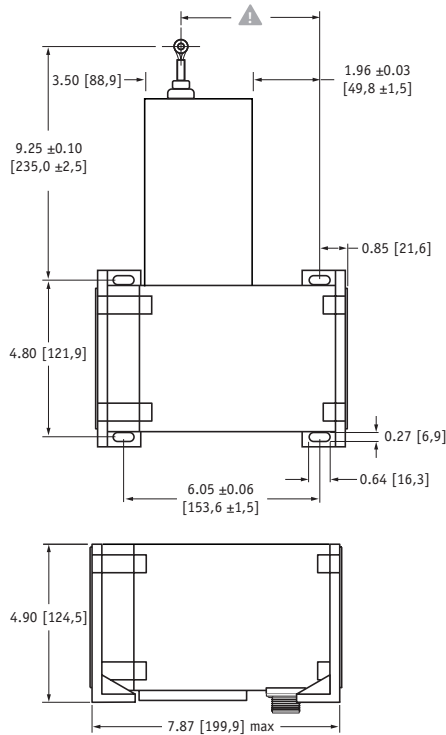
Note: Dimensions not valid for "increased cable tension" option. Consult factory for dimensions.

Top Cable Exit Option



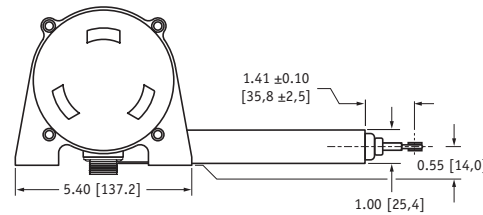
Note: Dimensions not valid for "increased cable tension" option. Consult factory for dimensions.

Rear Cable Exit Option



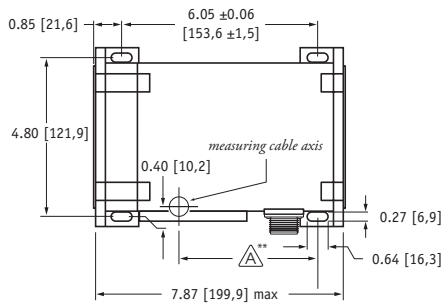
Measurement Range	Δ
0-75 to 0-150 inches	4.57 inches
0-2500 to 0-5000 mm	116,1 mm
0-200 to 0-550 inches	3.57 inches
0-6250 to 13750 mm	90,1 mm

all dimensions are in inches [mm]



Note: Dimensions not valid for "increased cable tension" option. Consult factory for dimensions.

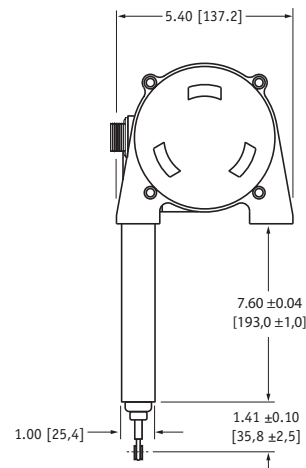
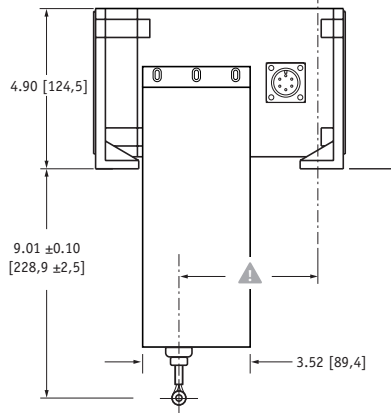
Bottom Cable Exit Option



**Note: see "A" dimension on PT9000 outline drawing

Measurement Range	Δ
0-75 to 0-150 inches	4.57 inches
0-2500 to 0-5000 mm	116,1 mm
0-200 to 0-550 inches	3.57 inches
0-6250 to 13750 mm	90,1 mm

all dimensions are in inches [mm]



Note: Dimensions not valid for "increased cable tension" option. Consult factory for dimensions.

version: 2.0 last updated: December 17, 2015

