

FEATURES

- ◆ Measures force & torque simultaneously
- ◆ Up to 6 components load cell
- ◆ Multiple and custom designs available
- ◆ Integrated amplifier optional
- ◆ Minimal Cross Effects

APPLICATIONS

- ◆ Mechanical linkage
- ◆ Structure testing
- ◆ Crash testing
- ◆ Automotive testing
- ◆ Industrial test benches

FN7325

Multi-axial Load Cell

SPECIFICATIONS

- ◆ **6-Components Load Cell**
- ◆ **Force range from 5 kN to 250 kN (1 klbf to 50 klbf)**
- ◆ **Measures force in three directions X, Y, Z**
- ◆ **Measures torque in three directions Mx, My, Mz**
- ◆ **Minimal Cross Effects**

The multi-axial **FN7325** measures force from 0-5 kN to 0-250 kN along three axes as well as the corresponding torque from 0-200 Nm to 0-7000 Nm. The **FN7325** is simple to use and install and in many diverse applications circumvents the necessity of employing multiple single-axes units.

The **FN7325** is a multi-axial sensors based on strain gages technology assembled in Wheatstone full bridges. Each sensor is able to measure up to 6 channels F_x , F_y , F_z , M_x , M_y & M_z which can be selected by customer, as example **FN7325-M6-ZLM** corresponds to a 3 channels (F_z , M_x & M_y) with a M6 sensor design.

Multiple designs and options can be adapted to this sensor such as integrated amplifier (**A1** or **A2**) or separated connectors or cable outputs. Its interfaces can also be modified to fit customer's specifications.

With many years of experience as a designer and manufacturer of sensors, TE CONNECTIVITY often works with customers to design or customize sensors for specific uses and testing environments.

On request, Instruction documents can be provided to ease the selection and use of our sensors and provide helpful tips.



STANDARD RANGES (FS)

Model	FN7325-M6	FN7325-M8	FN7325-M10	FN7325-M12	FN7325-M16
Force X/Y in N [in lbf]	5k [1k]	15k [3k]	30k [6k]	60k [12k]	100k [20k]
Force Z in N [in lbf]	15k [3k]	30k [6k]	50k [10k]	100k [20k]	250k [50k]
Torque X/Y/Z in N.m [in lbf.ft]	200 [145]	600 [440]	1.2k [885]	2.8k [2 065]	7k [5 160]

PERFORMANCE SPECIFICATIONS (typical values at temperature 23±3°C)

Parameters	
Operating Temperature Range (OTR)	-20 to 80° C [-4 to 176° F]
Compensated Temperature Range (CTR)	0 to 60° C (32 to 140° F)
Thermal Zero Shift in CTR	< 2% F.S. / 50° C [100° F]
Thermal Sensitivity Shift in CTR	< 2% of reading / 50° C [100° F]
Over-Range	
Without Damage	1.2 x F.S.
Accuracy	
Combined non-linearity and hysteresis	±1% F.S.
Cross effects	3% F.S. (5% max.)

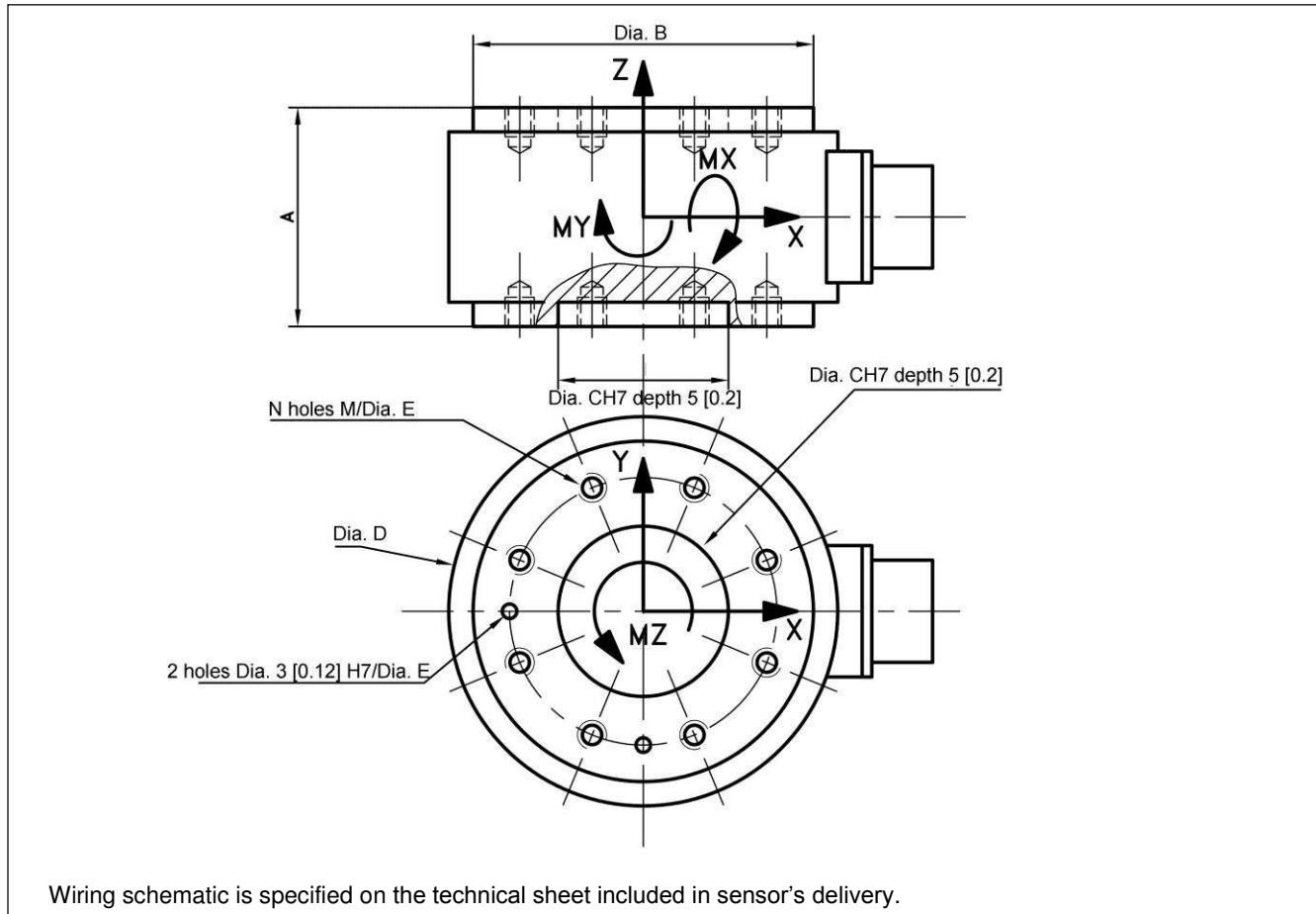
Electrical Characteristics

Model	FN7325 ¹	FN7325-A1	FN7325-A2
Supply Voltage	1 to 10 Vdc regulated	10 to 30 Vdc	±15 Vdc (±12 to ±18Vdc)
Sensitivity "FSO" per channel ⁶	±10 to 15 mV/V	±2V ±0.2V	±5 V ±0.25V
Zero Offset ⁶	±10mV	2.5 V ±0.2V	0 V ±0.25V
Insulation under 50Vdc	≥100MΩ		

Notes

1. Sensors are calibrated with 10Vdc power supply as standard.
2. Standard electrical Termination: Connector output with mating plug included in delivery
3. Wiring schematic depends on the sensor and number of channels
4. Materials: Body in stainless steel cover in aluminium alloy
5. Protection index: IP50
6. Other signal output on request
7. CE conformance according to EN 61010-1, EN 50081-1, EN 50082-1

DIMENSIONS (IN METRIC AND IMPERIAL)



Dimensions in mm [inch]

Model	FN7325-M6	FN7325-M8	FN7325-M10	FN7325-M12	FN7325-M16
Force X/Y in N [in lbf]	5k [1k]	15k [3k]	30k [6k]	60k [12k]	100k [20k]
Force Z in N [in lbf]	15k [3k]	30k [6k]	50k [10k]	100k [20k]	250k [50k]
Torque X/Y/Z in N.m [in lbf.ft]	200 [145]	600 [440]	1.2k [885]	2.8k [2 065]	7k [5 160]
A	50 [1.97]	55 [2.17]	65 [2.56]	75 [2.95]	90 [3.54]
B	70 [2.76]	88 [3.46]	114 [4.49]	148 [5.83]	190 [7.48]
C	35 [1.38]	40 [1.57]	50 [1.97]	65 [2.56]	90 [3.54]
D	80 [3.15]	98 [3.86]	124 [4.88]	158 [6.22]	200 [7.87]
N	8 x M6/Ø55 [2.17]	8 x M8/ Ø70 [2.76]	8 x M10/Ø95 [3.74]	12 x M12/Ø125 [4.92]	12 x M16/Ø150 [5.91]

FN7325

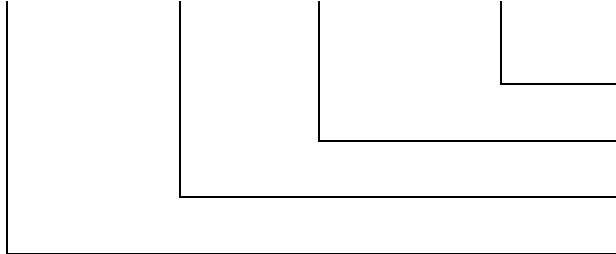
Multiaxial Load Cell

OPTIONS

A1 : Amplified Tension output with unipolar power supply
A2 : Amplified Tension output with bipolar power supply
V00 : Non-standard power supply calibration, replace "00" with value in Volt (standard 10Vdc, unamplified sensor only)

ORDERING INFO

FN7325 - M6 - A1 - XYZLMN



Channel gaged (Force X, Y or Z axes;
Torque L for MX, M for MY or N for MZ)

Amplified version (none, A1 or A2)

Model thread type

Model



SUPPLIED ACCESSOIRES (CONNECTOR VERSION)

EFMX-12M : 12CTS mating plug Jaeger 530-502-006 with clamp 630-135-006 up to 3 axes XYZ or with A1 option
EFMX-27HD : 27CTS mating plug Jaeger 762-227-006 with clamp 769-227-006 above 3 axes XYZLMN or with A2 option

NORTH AMERICA

Measurement Specialties, Inc.,
a TE Connectivity Company
Phone: +1 800 522 6752
Email: customercare.frm@te.com

EUROPE

Measurement Specialties (Europe), Ltd.
a TE Connectivity Company
Phone: +31 73 624 6999
Email: customercare.lcsb@te.com

ASIA

Measurement Specialties (China), Ltd.,
a TE Connectivity Company
Phone +86 400 820 6015
Email: customercare.shzn@te.com

TE.com/sensorsolutions

Measurement Specialties, Inc., a TE Connectivity company.

Measurement Specialties, TE Connectivity, TE Connectivity (logo) and EVERY CONNECTION COUNTS are trademarks. All other logos, products and/or company names referred to herein might be trademarks of their respective owners.

The information given herein, including drawings, illustrations and schematics which are intended for illustration purposes only, is believed to be reliable. However, TE Connectivity makes no warranties as to its accuracy or completeness and disclaims any liability in connection with its use. TE Connectivity's obligations shall only be as set forth in TE Connectivity's Standard Terms and Conditions of Sale for this product and in no case will TE Connectivity be liable for any incidental, indirect or consequential damages arising out of the sale, resale, use or misuse of the product. Users of TE Connectivity products should make their own evaluation to determine the suitability of each such product for the specific application.

© 2015 TE Connectivity Ltd. family of companies All Rights Reserved.