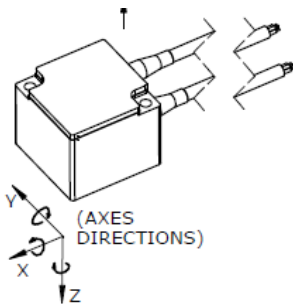


## FEATURES

- Low Noise Jacketed Cables
- Rugged Integral Strain Relief
- Reliable Silicon MEMS Sensors
- -40 to +105°C Temperature Range
- Shock Resistant Package
- Low Cross-Axis Sensitivity
- Exceptional Temperature Performance

## APPLICATIONS

- Automotive Handling Testing
- Motorsports Applications
- Biomechanics Testing
- Shock & Impact Testing
- Motion Measurements
- Flight Testing



## MODEL 634

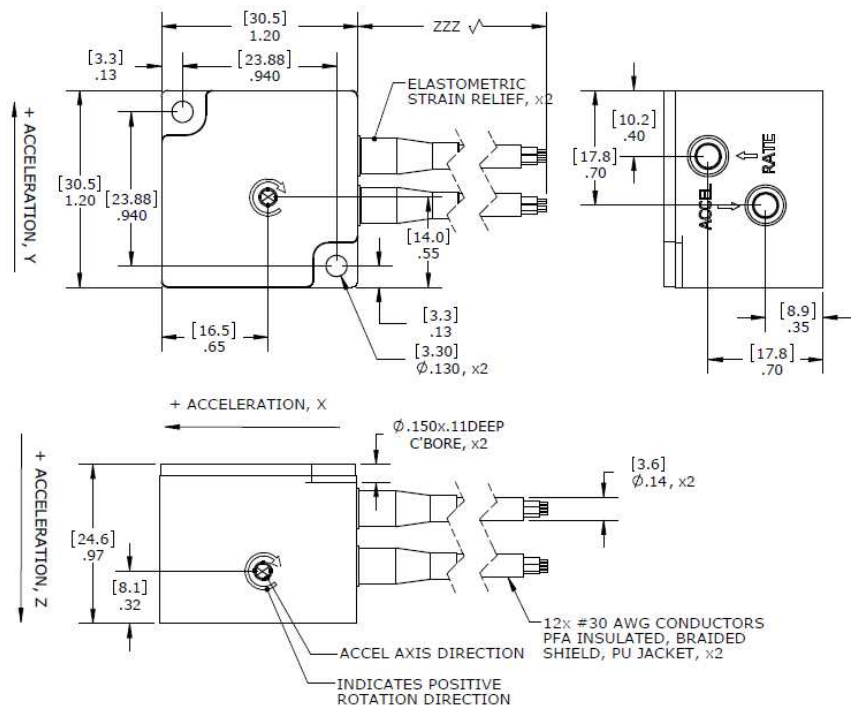
### Six-Degree of Freedom Sensor

#### SPECIFICATIONS

- Silicon MEMS 6DOF Sensor
- $\pm 2$  to  $\pm 100g$  Acceleration Range
- $\pm 100$  to  $\pm 18,000^\circ/\text{sec}$  Rate Range
- Miniature Compact Package
- Rugged Shock Resistant Housing

The Model 634 6-DOF Sensor is an analog sensor that includes outputs of three gyroscope/rate sensors and three DC accelerometers in one small package. The rate sensors and accelerometers are aligned orthogonally to each other which allow the user to measure motions in all 6 degrees of freedom (6-DOF). Designed specifically for product research and development in harsh environments, the Model 634 can maintain its precision under high shock condition.

#### dimensions



PERFORMANCE SPECIFICATIONS

All values are typical at +24°C and 10Vdc excitation unless otherwise stated. Measurement Specialties reserves the right to update and change these specifications without notice.

Parameters

**DYNAMIC (RATE SENSORS)**

	-100	-500	-1K5	-6K	-12K	-18K	Notes
Dash Number							See Ordering Info
Range (deg/sec)	±100	±500	±1500	±6000	±12K	±18K	
Sensitivity (mV/deg/sec)	20.0	4.00	1.33	0.333	0.167	0.111	
Frequency Response (Hz)	0-1000	0-1000	0-1000	0-1000	0-2000	0-2000	+1dB/-3dB
Non-Linearity (%FSO)	±0.5	±0.5	±0.5	±0.5	±0.5	±0.5	BFSL
Cross-Axis Sensitivity (%)	<1	<1	<1	<1	<1	<1	
Shock Limit (g)	3000	3000	3000	3000	5000	5000	
Residual Noise (mV RMS)	18.0	3.66	1.20	3.30	1.22	1.50	Passband

**DYNAMIC (ACCELERATION SENSORS)**

	-002	-005	-010	-030	-050	-100	Notes
Dash Number							See Ordering Info
Range (g)	±2	±5	±10	±30	±50	±100	
Sensitivity (mV/g)	1000	400	200	67	40	20	
Frequency Response (Hz)	0-250	0-700	0-1000	0-1000	0-1000	0-1000	±5%
Natural Frequency (Hz)	700	800	1000	1500	4000	6000	
Non-Linearity (%FSO)	±0.5	±0.5	±0.5	±0.5	±0.5	±0.5	
Transverse Sensitivity (%)	<3	<3	<3	<3	<3	<3	
Shock Limit (g)	2000	5000	5000	5000	5000	5000	
Damping Ratio	0.7	0.7	0.7	0.7	0.7	0.7	
Residual Noise (µV RMS)	600	750	800	800	800	800	Passband

**ELECTRICAL**

Zero Acceleration Output (mV), Rate Sensors	±100						Differential
Zero Acceleration Output (mV), Accel Sensors	±50						Differential
Excitation Voltage (Vdc), Rate Sensors	5 to 16						
Excitation Voltage (Vdc), Accel Sensors	8 to 36						
Excitation Current (mA), Rate Sensors	<8						
Excitation Current (mA), Accel Sensors	<5						
Influence of Linear Acceleration (deg/sec/g)	0.1						
Common Mode Voltage (Vdc), Rate Sensors	2.5						±5%
Full Scale Output Voltage (Vpk), Rate Sensors	±2						±15%
Bias Voltage (Vdc), Accel Sensors	2.5						
Full Scale Output Voltage (Vpk), Accel Sensors	±2						
Output Impedance (Ω), Rate Sensors	400						
Output Impedance (Ω), Accel Sensors	<100						
Insulation Resistance (MΩ)	>100						@100Vdc
Turn On Time (msec), Rate Sensors	<100						
Ground Isolation	Isolated from Mounting Surface						

**ENVIRONMENTAL**

Thermal Zero Shift, Rate Sensors (%FSO)	±2.5						-40 to +105°C
Thermal Sensitivity Shift, Rate Sensors (%)	±2.0						-40 to +105°C
Thermal Zero Shift, Accel Sensors (%FSO)	±2.5						-40 to +105°C
Thermal Sensitivity Shift, Accel Sensors (%)	±3.0						-40 to +105°C
Operating Temperature (°C)	-40 to +105						
Humidity (Active Element & Electronics)	Hermetically Solder Seal						
Humidity (Housing)	Epoxy Sealed, IP65						

**PHYSICAL**

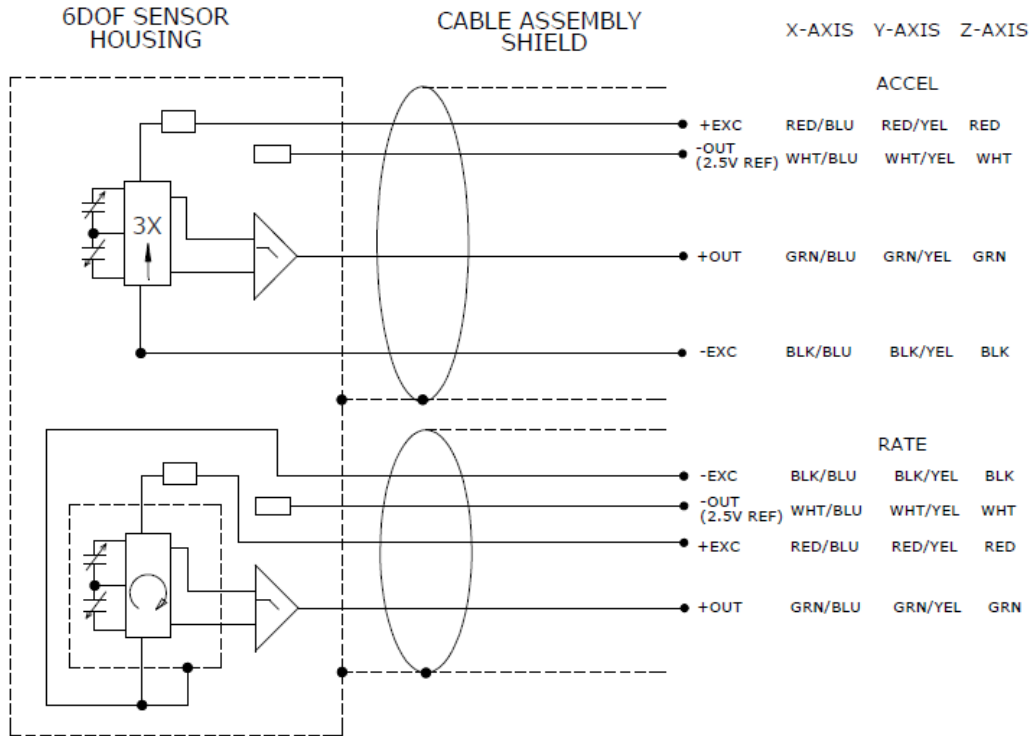
Case Material	Anodized Aluminum
Cable	2x Cables; 12x #30AWG Cond PFA Insulated, Braided Shield, PU Jacket
Weight (cable not included)	40 grams
Mounting	2x #4-40 or M3 Mounting Screw
Mounting Torque	6 lb-in (0.68 N-m)

**Calibration supplied:** CS-ARLIN NIST Traceable Linearity Calibration to FS Range  
 CS-FREQ-0100 NIST Traceable Amplitude Calibration to FR Limit

**Supplied accessories:** 2x #4-40 (1.0" length) Socket Head Cap Screw

**Optional accessories:** 121 3-Channel Precision Low Noise DC Amplifier

SCHEMATIC



The information in this sheet has been carefully reviewed and is believed to be accurate; however, no responsibility is assumed for inaccuracies. Furthermore, this information does not convey to the purchaser of such devices any license under the patent rights to the manufacturer. Measurement Specialties, Inc. reserves the right to make changes without further notice to any product herein. Measurement Specialties, Inc. makes no warranty, representation or guarantee regarding the suitability of its product for any particular purpose, nor does Measurement Specialties, Inc. assume any liability arising out of the application or use of any product or circuit and specifically disclaims any and all liability, including without limitation consequential or incidental damages. Typical parameters can and do vary in different applications. All operating parameters must be validated for each customer application by customer's technical experts. Measurement Specialties, Inc. does not convey any license under its patent rights nor the rights of others.

ORDERING INFORMATION

PART NUMBERING Model Number+Accel Range+Rate Range+Cable Length

634-GGG-RRR-ZZZ-XX

Special requirements, otherwise leave blank
Cable (-120 is 120 inches, standard options are -120, -240 & -360 cable lengths)
Rate Range (-100 for 100deg/sec, -12K for 12000deg/sec)
Accel Range (-002 for 2g, -100 for 100g)

Example: 634-002-100-120
Model 634, 2g, 100deg/sec, 120" Cable



NORTH AMERICA

Measurement Specialties, Inc.,
a TE Connectivity Company
1000 Lucas Way
Hampton, VA 23666
USA
Tel: +1-800-745-8008 or
+1-757-766-1500
Fax: +1-757-766-4297
Sales: pvg.cs.amer@meas-spec.com

EUROPE

MEAS France SAS
a TE Connectivity Company
26 Rue des Dames
F78340 Les Clayes-sous-Bois
France
Tel: +33 (0) 130 79 33 00
Fax: +33(0) 134 81 03 59
Sales: pfg.cs.emea@meas-spec.com

ASIA

Measurement Specialties (China), Ltd.,
a TE Connectivity Company
No. 26 Langshan Road
Shenzhen High-Tech Park (North)
Nanshan District, Shenzhen 518057
China
Tel: +86 755 3330 5088
Fax: +86 755 3330 5099
Sales: pfg.cs.asia@meas-spec.com

TE.com/sensorsolutions

Measurement Specialties, Inc., a TE Connectivity company.

Measurement Specialties, TE Connectivity, TE Connectivity (logo) and EVERY CONNECTION COUNTS are trademarks. All other logos, products and/or company names referred to herein might be trademarks of their respective owners.

The information given herein, including drawings, illustrations and schematics which are intended for illustration purposes only, is believed to be reliable. However, TE Connectivity makes no warranties as to its accuracy or completeness and disclaims any liability in connection with its use. TE Connectivity's obligations shall only be as set forth in TE Connectivity's Standard Terms and Conditions of Sale for this product and in no case will TE Connectivity be liable for any incidental, indirect or consequential damages arising out of the sale, resale, use or misuse of the product. Users of TE Connectivity products should make their own evaluation to determine the suitability of each such product for the specific application.

© 2015 TE Connectivity Ltd. family of companies All Rights Reserved.